



Read installation instructions completely before installing.

WARNING

Do not inflate the air springs when unrestricted. They must be restricted by a coil spring. Do not inflate beyond recommended operating pressures for your specific vehicle. Improper use or over inflation may cause property damage or severe personal injury.

NOTE 1: If your vehicle is equipped with vibration dampers between the turns of the coil, it is necessary that these be removed before installing the air springs.

NOTE 2: Some mid-size General Motors vehicles have a solid surface located on the lower spring seat which will not allow the air line to exit the coil. Removal of this cup is mandatory before installing the Coil-Rite air helper springs. The cup is spot welded and can be removed by using a chisel.

NOTE 3: 1991 and up Ford Crown Victoria, Mercury Grand Marquis, Chevy Suburban, Tahoe, GMC Yukon, Honda Passport and Isuzu Amigo, Rodeo, Trooper, and Nissan Patrol use Step 2B.

VEHICLE PREPERATION

With the vehicle on a solid level surface chock the front wheels. Raise the vehicle using a lift or platform jack rated for your vehicle weight to lift the rear wheels off the surface. Remove the rear wheels. Lower the vehicle onto jack stands rated for your vehicles weight making sure the suspension is fully extended. (Do NOT use wood or concrete blocks to support the weight of the vehicle.)

HEAT SHIELD

Before beginning the installation of your Coil-Rite kit, check the clearance from the coil spring to the exhaust. If there is less than two inches you will need to move the exhaust pipe for additional clearance. Heat shield instructions are on a supplemental sheet included with your kit. (*Note: Heat shield is not used in the 4110 kit*)

PARTS LIST

AIR SPRINGS	2
LOWER SUPPORTS	2
18' AIR LINE	1
NYLON TIE	6
PUSH-TO-CONNECT INFLATION VALVE	2
5/16" FLAT WASHER	4
PTC PLUGS	2
STICK ON HEAT SHIELD	1

SHOCK ABSORBERS

If necessary, additional clearance between the coil spring turns may be obtained by removing the shock absorbers from the lower mounts and lowering the suspension an additional one to two inches. (CAUTION: Do not put strain or tension on the flexible brake line.)

STEP 1 – AIR SPRING PREPARATION

Cut a section of air line tubing 3 inches in length and install into the push-to-connect fitting on the air spring. Exhaust the air from the air spring by rolling it up toward the air inlet. Install the plug into the tubing coming out of the air spring.

STEP 2A – INSTALLING THE AIR SPRING

Insert the flattened air spring into the coil spring through the lowest opening with the push-to-connect air inlet at the bottom of the coil spring refer to *Figure "AA"*.

STEP 2B – INSTALLING THE AIR SPRING

Insert the flattened air spring into the coil spring through the lowest opening with the push-to-connect air inlet at the top of the coil spring as shown in *Figure "AB"*.

STEP 3 – ADJUSTING THE AIR SPRING

Push the air spring up into the coil spring by hand or with a blunt tool, such as a spoon shaped tire iron or 1/2" extension. Do NOT use anything with sharp edges or corners as this may damage the air spring.

STEP 4 – PLACING SUPPORTS

When the air spring is completely within the coil spring, remove the plug and short piece of air line by pushing the collar of the fitting towards the air spring. Allow the air

OPERATING PRESSURES

PASSENGER CARS	5-30 p.s.i.
1/2 TON VEHICLES	5-30 p.s.i.
SUV's	5-25 p.s.i.

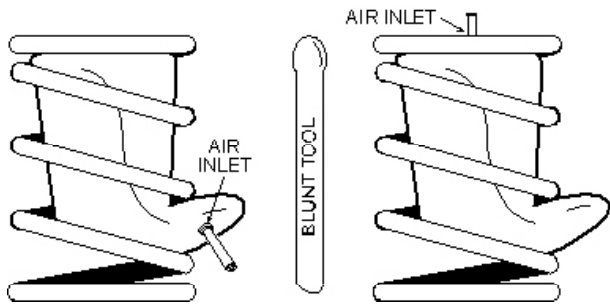


Figure "AA"

Figure "AB"

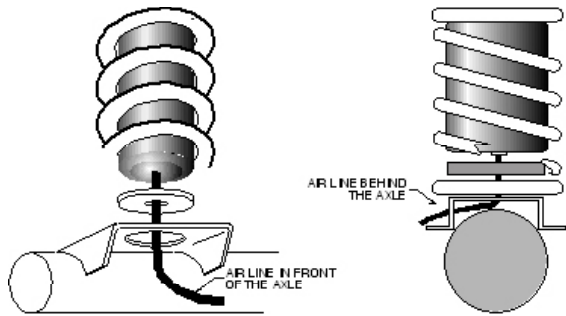


Figure "BA"

Figure "BB"

GM 1967-1972 vehicles,
Ford 1966-1978 vehicles
air line behind the axle.

GM 1973 & up Passenger
Cars, Ford 1979-1990 vehicles
air line behind the axle.

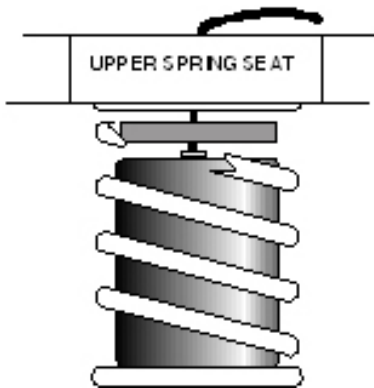


Figure "C"

1991 and up Ford Crown Victoria
1991 and up Mercury Grand Marquis

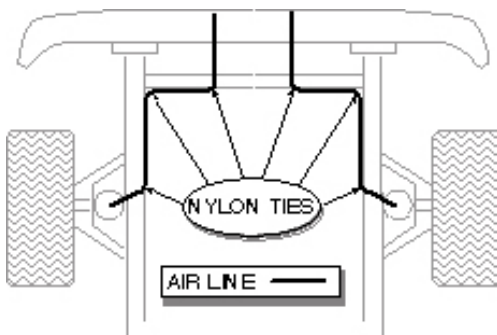


Figure "D"

spring to return to its normal shape. Push the air spring to the top of the coil spring. Insert the support between the air spring and the coil spring seat as shown in *Figures "BA", "BB" and "C"*.

STEP 5 – REATTACH THE SHOCK ABSORBER

Attach shock absorbers if removed earlier in the installation.

STEP 6 – ROUTE THE AIR LINE

Cut the air line tubing into two equal lengths (cut the tubing as squarely as possible). Select a location for the inflation valves in a protected area, such as: on the bumper or body (Note: The inflation valve will be installed in step 8).

Insert the air line tubing into the push-to-connect fitting on the air spring as far as possible. Route the air line from the air spring to the desired inflation valve location.

STEP 7 – HOSE ATTACHMENT TO THE VEHICLE

With the tubing routed from the air spring to the location of the inflation valve. Use the nylon ties supplied to secure the air line tubing to the vehicle as shown in *Figure "D"*. Be careful to avoid heat and sharp edges when fastening the tubing to the vehicle. Route the tubing away from the exhaust system.

STEP 8 – INSTALLING THE INFLATION VALVE

Drill a 5/16" hole where you wish to mount the inflation valve. Remember to keep the inflation valve in a protected area that is easily accessible. Attach the inflation valve to the bumper or body of the vehicle as shown in *Figure "E"*. Tighten all nuts at this time.

Cut the excess air line tubing so that it will fit easily into the inflation valve, making sure the end is cut squarely (a "saw" cut with a sharp knife is preferred). Push the end of the tubing into the inflation valve as far as possible.

FOLLOW STEPS 1-8 FOR THE OTHER SIDE

STEP 9 – INFLATE AND TEST

Inflate the air springs to recommended maximum operating pressure (see page 1 for operating pressures). With a soap and water solution, check for air leaks around the fittings and valve core. Remove the jack stands and lower the vehicle to the ground. Inflating and deflating in 5 p.s.i. increments to find the ideal riding condition for your vehicle.

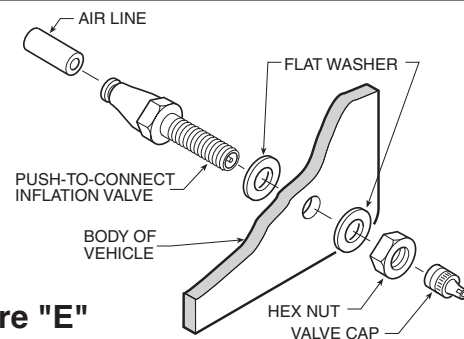
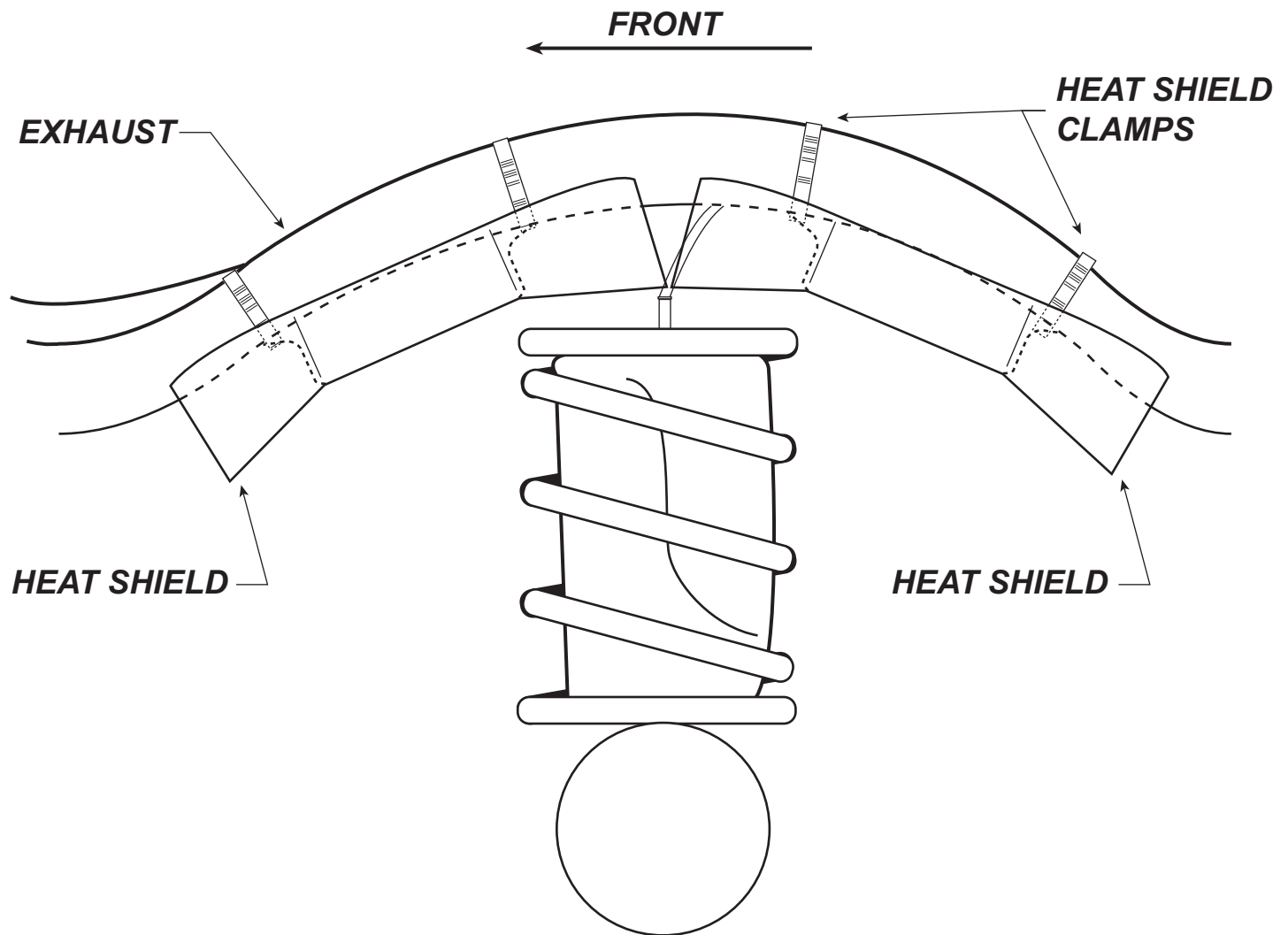


Figure "E"

NOTICE:

Avalanche, Escalade, Escalade EXT, Suburban 1500, Tahoe, Yukon 1500

Your vehicle will require the use of two heat shields. Make sure that the first heat shield is forward of the Coil-Rite spring, and the second heat shield is to the rear of the first heat shield.

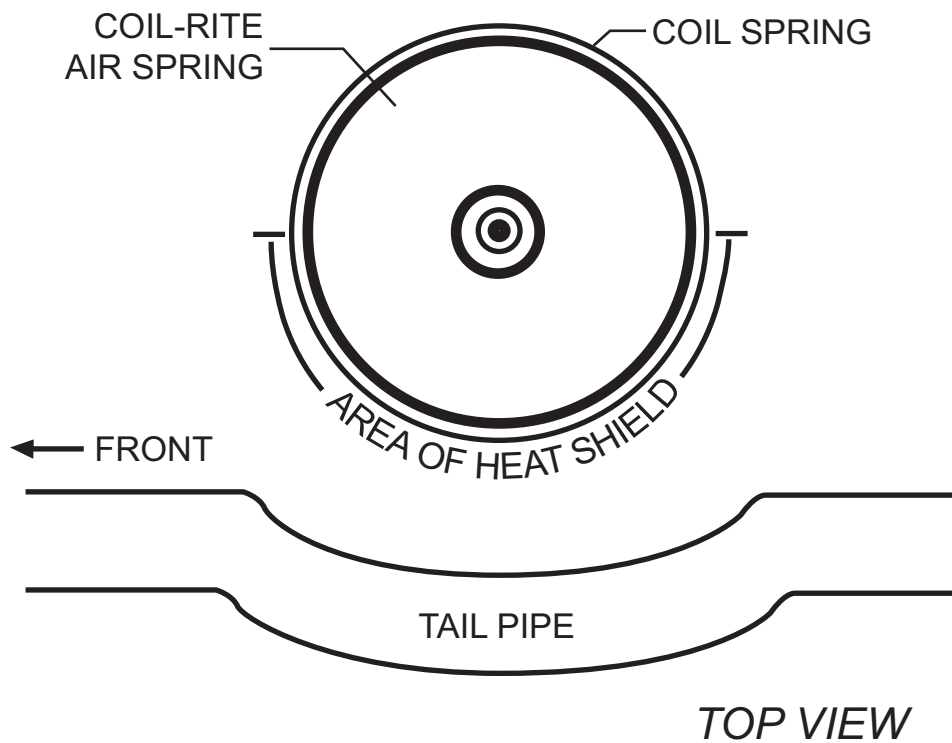
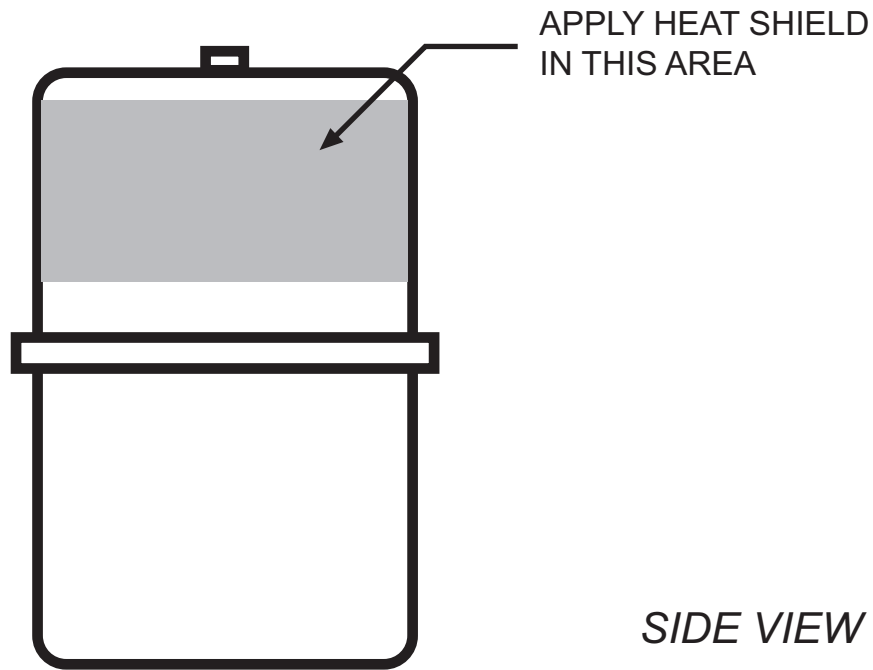


MAXIMUM PRESSURE: 35 PSI

For vehicles 2011 +

MAXIMUM PRESSURE: 25 PSI

For vehicles from 2000 to 2010



AIR SPRING HEAT SHIELD

To install the air spring heat shield, remove the backing on the adhesive side of the material and apply the heat shield to the upper section of the Coil-Rite air spring. See the “Side View” illustration. When the Coil-Rite air spring is installed inside the coil spring, make sure the heat shield is facing the tail pipe. See the “Top View”.

PARTS LIST

DESCRIPTION	QTY.
HEAT SHIELD	2
CLAMPS	4

EXHAUST CLEARANCE MODIFICATION

The exhaust clearance from the air spring should be no less than 2 inches. If necessary, loosen the exhaust clamps and rotate the exhaust pipe to obtain additional clearance. Tighten the exhaust clamps after rotation.

STEP 1

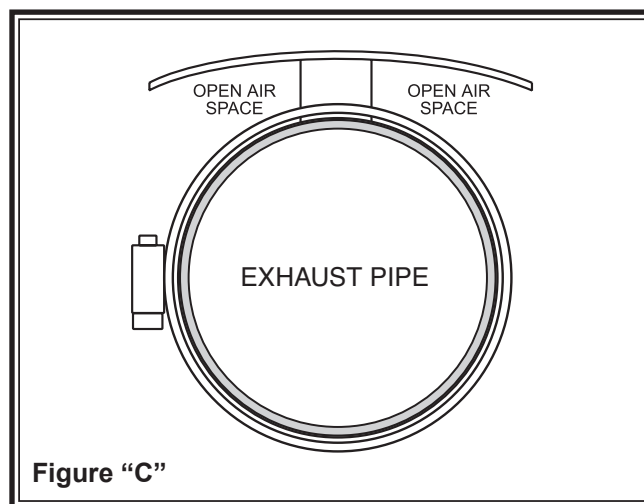
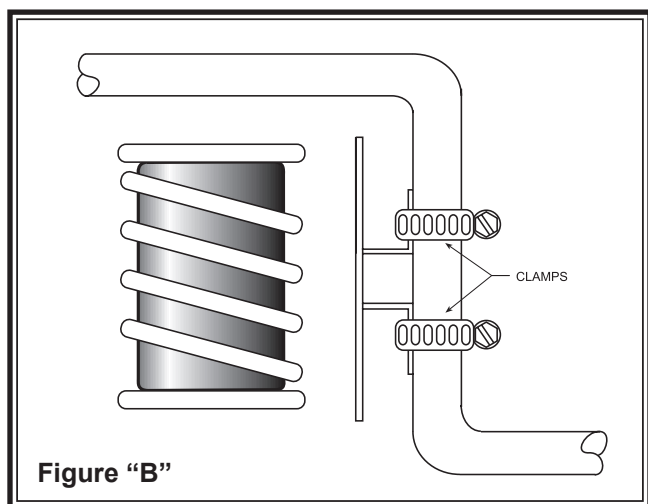
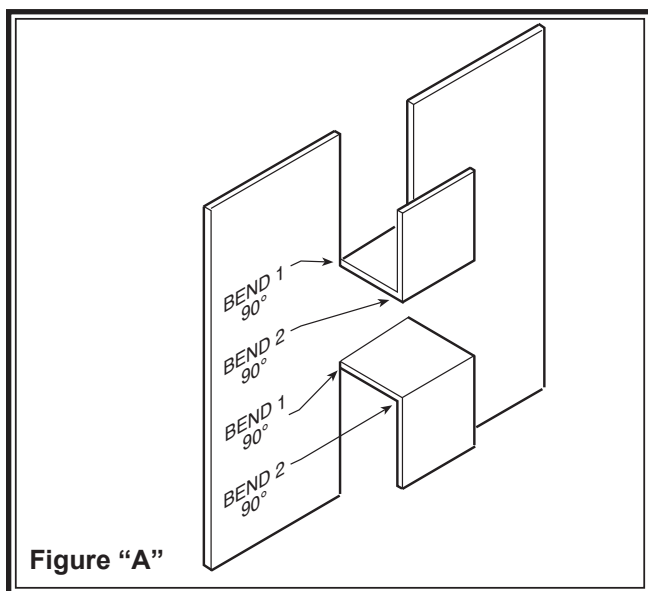
Bend the heat shield middle tab out at a 90 degree angle and bend the heat shield again half the distance up the tab at a 90 degree angle to form an "L" shape, refer to **Figure "A."**

STEP 2

Mount the heat shield between the air spring and the exhaust pipe. Mount the heat shield using the clamps provided. **see Figure "B."** Maintain clearance between heat shield and moving axle, lines, etc.

STEP 3

Bend the heat shield around the exhaust pipe, while allowing for open air space of 1/2" to 1" as shown in **Figure "C."**





Do Not Return This Product to the Dealer or Distributor

If you are

- missing parts,
- experiencing installation problems, or
- have technical concerns regarding this product,

you may contact a Firestone Technical Service Representative at rrtech@fsip.com or at 800-888-0650 (option 1, and then option 2). Representatives are available from 7:30 a.m. – 4:30 p.m. Eastern on Monday – Friday, excluding holidays. If you are located outside of the United States, you should first contact your distributor or dealer directly with any issues.

When contacting Technical Service, please have the kit or part # ready, along with the make, model, and year of the vehicle. You may also need to provide details, such as 2WD/4WD or if the vehicle has been lifted or lowered from stock height.

If you have a warranty concern, please include in your email a detailed description of the situation, a photo(s) of the issue, and your contact information, including ship-to address.

WARRANTY COVERAGE*— The Ride-Rite™ kits, components, and accessories are warranted against defects in workmanship and materials. This warranty does not cover service or labor charges, neglect...to the product.

PERIOD OF COVERAGE:

- | | |
|---|--|
| • Ride-Rite air springs – Lifetime Limited | • Work-Rite load assists – 2 Years Limited |
| • Sport-Rite air springs – Lifetime Limited | • Air-Rite accessories – 2 Years Limited |
| • Coil-Rite air springs – Lifetime Limited | • Brackets, hardware, fittings, air line, and other components – 2 Years Limited |
| • Level-Rite air springs – Lifetime Limited | |

HOW TO MAKE A WARRANTY CLAIM — If you purchased your air springs in the U.S. or Canada and believe you have a part with a warrantable defect, call Firestone directly at 1-800-888-0650.

International customers should contact their distributors or dealers directly with any problems.

(*) Please refer to the “Firestone Limited Lifetime Air Spring Warranty” for details, terms, and conditions.

WARRANTY QUESTIONS

Go to www.riderite.com/installation-support
Select “Warranty Info” tab