

# FRR0504A

## FORD

Rear suspension package  
Ensemble pour suspension arrière  
Ensemble para suspensión de trasero

### INSTALLATION INSTRUCTIONS

- Raise vehicle allowing the axle to hang freely.
- Remove existing bump stop assembly.
- Assemble Aeon rubber spring and bracket as shown in the adjacent diagram.
- Mount Timbren assembly using existing holes & Timbren supplied fasteners.
- Slide Timbren bottom support onto axle allowing bump stop peg to fit through center of bracket.
- Clamp Timbren bottom support onto axle using fasteners provided.
- Lower vehicle.

#### NOTES

Check that brake line or brake cable locations do not interfere with Aeon spring.

### INSTRUCTIONS DE MONTAGE

- Soulever le véhicule de sorte que l'essieu soit dégagé.
- Retirer l'assemblage de la butée de suspension existante.
- Assembler le ressort en caoutchouc Aeon et le support comme il est indiqué dans le schéma adjacent.
- Monter l'assemblage Timbren en utilisant les trous existants et la boulonnerie fournie avec l'assemblage Timbren.
- Faire glisser le support inférieur Timbren sur l'essieu, permettant ainsi à la boudine de la butée de suspension de se placer au centre du support.
- Attacher le support inférieur Timbren sur l'essieu en utilisant la boulonnerie fournie.
- Redescendre le véhicule.

#### REMARQUES

Vérifier que les emplacements de la conduite de frein et du câble de frein ne nuisent pas au ressort Aeon.

### INSTRUCCIONES DE INSTALACIÓN

- Levante el vehículo dejando que los ejes cuelguen libremente.
- Retire la unidad del tope de suspensión existente.
- Ensamble el resorte de caucho Aeon y la abrazadera como se muestra en el diagrama adyacente.
- Monte la unidad Timbren utilizando los orificios existentes y los elementos de sujeción Timbren provistos.
- Deslice el soporte inferior Timbren sobre el eje dejando que la clavija del tope de suspensión se ajuste en el centro de la abrazadera.
- Sujete con abrazaderas el soporte inferior Timbren al eje utilizando los elementos de sujeción provistos.
- Baje el vehículo.

#### NOTAS

Verifique que la ubicación de la tubería de freno o del cable del freno no interfiera con el resorte Aeon.

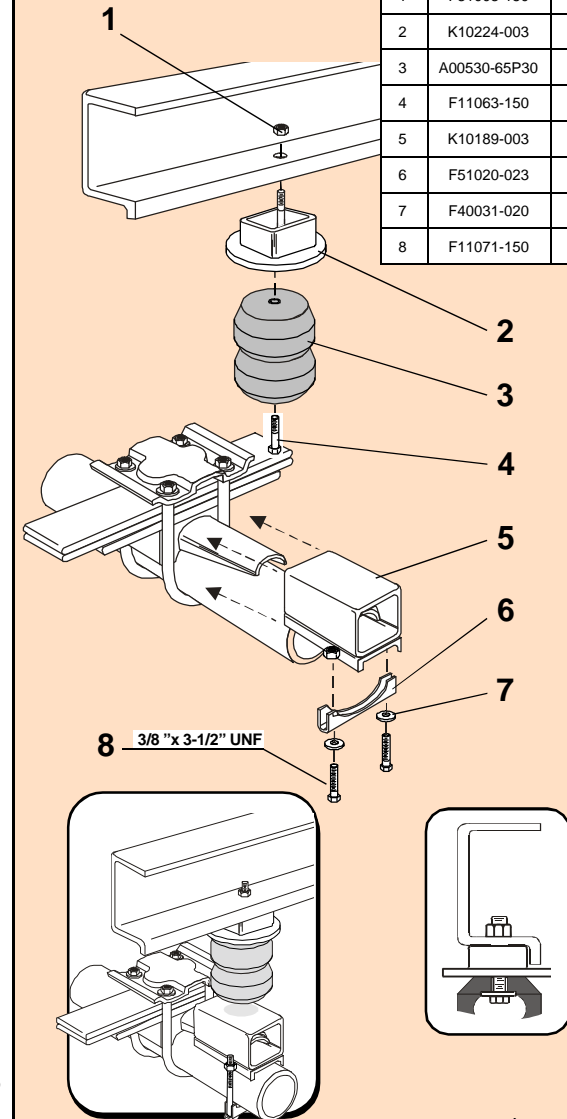
Do not exceed vehicle manufacturer's recommended axle weight rating. Check for AEON® interference with vehicle components - Under load AEON® will "expand" in diameter.

Ne pas dépasser le poids nominal sur l'essieu recommandé par le fabricant du véhicule. Vérifier que le ressort AEON® n'a pas d'incidence sur d'autres pièces du véhicule - Le ressort AEON® augmentera son diamètre avec la charge.

No exceda la carga nominal en el eje recomendada por el fabricante del vehículo. Compruebe que no haya interferencia entre el resorte AEON® y los otros componentes del vehículo. Bajo carga, el resorte AEON® se ampliará en diámetro.

Ref. = Reference = No. de référence = Núm. de referencia  
Part = Part #. = No. de pièce = Núm. de pieza  
Qty. = Quantity = Quantité = Cantidad

Ref	Part	Qty
1	F31003-150	2
2	K10224-003	2
3	A00530-65P30	2
4	F11063-150	2
5	K10189-003	2
6	F51020-023	2
7	F40031-020	4
8	F11071-150	4



FRR0504A



## FRR0504A

TIMBREN INDUSTRIES INC.

[www.timbren.com](http://www.timbren.com)

PART NUMBER	DESCRIPTION	QTY	LOCATION
F31003-150	NYLOCK LOCKNUT 3/8 UNF GR 5 Z	2	G1C
F40031-020	WASHER FLAT USS 3/8 x 1 GR 2 Z	4	G1C
F11063-150	HCS 3/8 x 1-1/2 UNF GR 5 Z	2	G1C
F11071-150	HCS 3/8 x 3-1/2 UNF GR 5 Z	4	G2C
A00530-65P30	Hollow Rubber Spring	2	C6A
K10224-003	FRR050A / FRR0504A WELDMENT PAINTED	2	D16C
K10189-003	FRR0504A WELDMENT PAINTED	2	D16C
F51020-023	SADDLE CLAMP 3" GR 2 B	2	G5B
B90201-CR	LARGE REAR BOX - 10.5 x 8.5 x 6	1	A--D
B10000	8" x 12" BUBBLE FOR KITS	1	
B00029-010	BARCODE LABEL FOR KIT	1	

### ASSEMBLY NOTES:

Issued: 8/12/2005

### Clearance Instructions:

Rear SES Kits for Pick-Ups and Vans should have a 1/2" to 1-1/2" gap between the rubber spring and contact point when empty.

A partial load, or vehicle accessories will reduce or eliminate the gap.

Front SES kits are usually in full contact.

Medium and Heavy-Duty Trucks, Trailers and Motorhomes will be in constant contact, and have no gap.

### Lifetime Warranty:

Timbren SES Kits are warranted against defects in material and workmanship, under normal use and service, for the life of the vehicle on which the kit was originally installed. The warranty is not transferable and proof of purchase is required. The warranty is limited to the replacement of the failed part.

TIMBREN will not be responsible for any labour or freight charges involved in the replacement of any product. TIMBREN shall be entitled to make its own inspection to determine the validity of the claim. TIMBREN shall not be liable nor warranty the product in the event of alteration, misuse, overload, negligence or damage caused by others.

If ride or performance of our product is unsatisfactory in any way, please call: 1-800-263-3113 or email [sales@timbren.com](mailto:sales@timbren.com)