

GMRCC**GM**

Rear suspension package
Ensemble pour suspension arrière
Ensemble para suspensión de trasero

INSTALLATION INSTRUCTIONS

- Raise vehicle allowing the axle to hang freely.
- Remove existing bump stop assembly & retain fasteners.
- Assemble Aeon rubber spring and bracket as shown in the adjacent diagram.
- Mount Timbren assembly using OEM fasteners.
- Lower vehicle.

NOTES:

When removing OEM fasteners, use penetrating fluid.
If necessary, use rubber washer #4 and bolt #2 to achieve desired ride height.

INSTRUCTIONS DE MONTAGE

- Soulever le véhicule de sorte que l'essieu soit dégagé.
- Retirer l'assemblage de la butée de suspension existante et conserver la boulonnerie.
- Assembler le ressort en caoutchouc Aeon et le support comme il est indiqué dans le schéma adjacent.
- Monter l'assemblage Timbren en utilisant la boulonnerie du fabricant d'équipement.
- Redescendre le véhicule.

REMARQUES:

Utiliser un fluide pénétrant, au moment de retirer la boulonnerie du fabricant d'équipement.
Utiliser la rondelle en caoutchouc no 4 et fixer à l'aide de boulons la rondelle en caoutchouc no 2 pour obtenir le niveau du véhicule désiré.

INSTRUCCIONES DE INSTALACIÓN

- Levante el vehículo dejando que los ejes cuelguen libremente.
- Retire la unidad del tope de suspensión existente y los pasadores de retención.
- Ensamble el resorte de caucho Aeon y la abrazadera como se muestra en el diagrama adyacente.
- Monte la unidad Timbren utilizando elementos de sujeción del fabricante original de equipo.
- Baje el vehículo.

NOTAS:

Al remover los elementos de sujeción del fabricante original de equipo, utilice fluido penetrante.
Use arandela de caucho #4 y perno #2 para lograr el nivel deseado del vehículo.

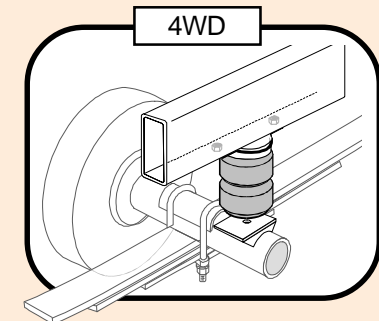
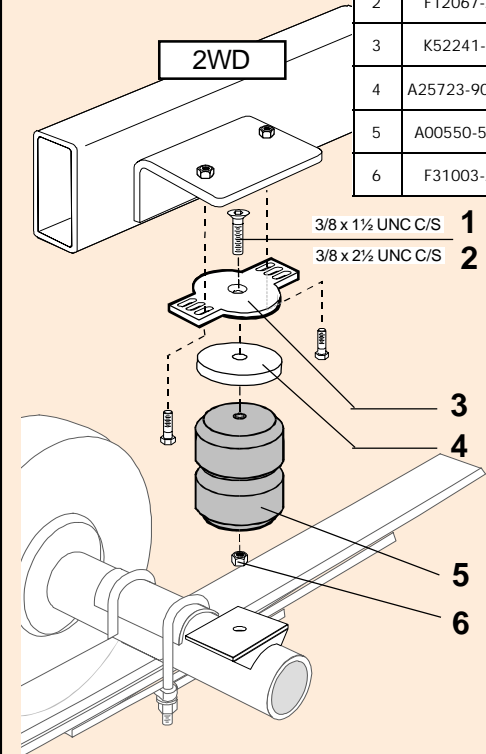
Do not exceed vehicle manufacturer's recommended axle weight rating. Check for AEON® interference with vehicle components - Under load AEON® will "expand" in diameter.

Ne pas dépasser le poids nominal sur l'essieu recommandé par le fabricant du véhicule. Vérifier que le ressort AEON® n'a pas d'incidence sur d'autres pièces du véhicule - Le ressort AEON® augmentera son diamètre avec la charge.

No exceda la carga nominal en el eje recomendada por el fabricante del vehículo. Compruebe que no haya interferencia entre el resorte AEON® y los otros componentes del vehículo. Bajo carga, el resorte AEON® se ampliará en diámetro.

Ref. = Reference = No. de référence = Núm. de referencia
Part = Part #. = No. de pièce = Núm. de pieza
Qty. = Quantity = Quantité = Cantidad

| Ref | Part | Qty |
|-----|---------------|-----|
| 1 | F12063-653 | 2 |
| 2 | F12067-253 | 2 |
| 3 | K52241-003 | 2 |
| 4 | A25723-90AH00 | 2 |
| 5 | A00550-55P30 | 2 |
| 6 | F31003-250 | 2 |

**GMRCC****TIMBREN**

| PART NUMBER | DESCRIPTION | QTY | LOCATION |
|-------------------|----------------------------------|----------|------------|
| F31003-250 | NYLOCK LOCKNUT 3/8 UNC GR 5 Z | 2 | G1B |
| F12063-653 | FHSCS 3/8 x 1-1/2 F/T UNC GR 5 B | 2 | J2E |
| F12067-253 | FHSCS 3/8 x 2-1/2 UNC GR 5 B | 2 | J2E |

| | | | |
|----------------------|---|----------|-------------|
| A00550-55P30 | AEON 550-55 ASSEMBLY P+W3/8 | 2 | C11B |
| A25723-90AH00 | RUBBER SPACER 4"od x 1" thk w/ AH Bushing | 2 | |

| | | | |
|-------------------|--------------------------------|----------|-------------|
| K52241-003 | 6-1/2x2-3/8x1/4 MTG.PLATE PTD. | 2 | D21E |
|-------------------|--------------------------------|----------|-------------|

| | | | |
|-------------------|--------------------------------|----------|--------------|
| B90200 | SMALL BLUE BOX - 9.5 x 7 x 5.5 | 1 | A1-7D |
| B10000 | 8" x 12" BUBBLE FOR KITS | 1 | |
| B00029-010 | BARCODE LABEL FOR KIT | 2 | |

Issued: 12/18/2009

Clearance Instructions:

Rear SES Kits for Pick-Ups and Vans should have a 1/2" to 1-1/2" gap between the rubber spring and contact point when empty.

A partial load, or vehicle accessories will reduce or eliminate the gap.

Front SES kits are usually in full contact.

Medium and Heavy-Duty Trucks, Trailers and Motorhomes will be in constant contact, and have no gap.

Lifetime Warranty:

Timbren SES Kits are warranted against defects in material and workmanship, under normal use and service, for the life of the vehicle on which the kit was originally installed. The warranty is not transferable and proof of purchase is required. The warranty is limited to the replacement of the failed part.

TIMBREN will not be responsible for any labour or freight charges involved in the replacement of any product. TIMBREN shall be entitled to make its own inspection to determine the validity of the claim. TIMBREN shall not be liable nor warranty the product in the event of alteration, misuse, overload, negligence or damage caused by others.

If ride or performance of our product is unsatisfactory in any way, please call: 1-800-263-3113 or email sales@timbren.com

ASSEMBLY NOTES: