

# GMRTT35S

# GM

Rear suspension package  
Ensemble pour suspension arrière  
Ensemble para suspensión de trasero

## INSTALLATION INSTRUCTIONS

- Raise vehicle allowing the axle to hang freely.
- Remove existing bump stop assembly.
- Assemble Aeon rubber spring and bracket as shown in the adjacent diagram.
- Mount Timbren assembly using existing holes & Timbren supplied fasteners.
- Lower vehicle.

### NOTES:

Use rubber washer #5 and bolt #8 to achieve desired ride height. Check that brake line or brake cable locations do not interfere with Aeon spring. Large Side of the disc on bracket #2 must be pointed towards tire.

## INSTRUCTIONS DE MONTAGE

- Soulever le véhicule de sorte que l'essieu soit dégagé.
- Retirer l'assemblage de la butée de suspension existante.
- Assembler le ressort en caoutchouc Aeon et le support comme il est indiqué dans le schéma adjacent.
- Monter l'assemblage Timbren en utilisant les trous existants et la boulonnerie fournie avec l'assemblage Timbren.
- Redescendre le véhicule.

### REMARQUES:

Utiliser la rondelle en caoutchouc no 5 et fixer à l'aide de boulons la rondelle en caoutchouc no 8 pour obtenir le niveau du véhicule désiré. Vérifier que les emplacements de la conduite de frein et du câble de frein ne nuisent pas au ressort Aeon. Positionner le support no. 2 pour que la partie large du disque soit dirigée vers le pneu.

## INSTRUCCIONES DE INSTALACIÓN

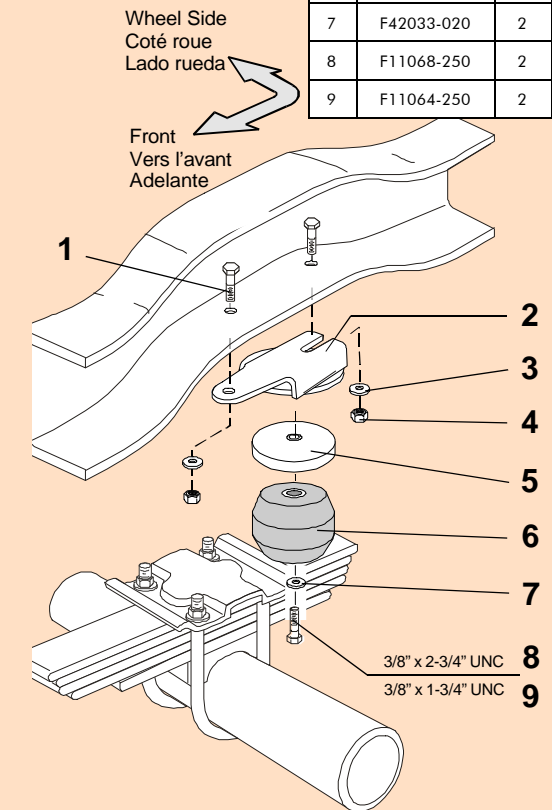
- Levante el vehículo dejando que los ejes cuelguen libremente.
- Retire la unidad del tope de suspensión existente.
- Ensamble el resorte de caucho Aeon y la abrazadera como se muestra en el diagrama adyacente.
- Monte la unidad Timbren utilizando los orificios existentes y los elementos de sujeción Timbren provistos.
- Baje el vehículo.

### NOTAS:

Use arandela de caucho #5 y perno #8 para lograr el nivel deseado del vehículo. Verifique que la ubicación de la tubería de freno o del cable del freno no interfiera con el resorte Aeon. Colocar la abrazadera #2 para que la parte larga del disco este en la dirección de la llanta.

**Ref.** = Reference = No. de référence = Núm. de referencia  
**Part** = Part #. = No. de pièce = Núm. de pieza  
**Qty.** = Quantity = Quantité = Cantidad

| Ref | Part          | Qty   |
|-----|---------------|-------|
| 1   | F11062-150    | 4     |
| 2   | K10539-003    | 1L-1R |
| 3   | F40031-020    | 4     |
| 4   | F31003-150    | 4     |
| 5   | A25723-90AH00 | 2     |
| 6   | A0103B-75Q00  | 2     |
| 7   | F42033-020    | 2     |
| 8   | F11068-250    | 2     |
| 9   | F11064-250    | 2     |



Do not exceed vehicle manufacturer's recommended axle weight rating. Check for AEON<sup>®</sup> interference with vehicle components - Under load AEON<sup>®</sup> will "expand" in diameter.

Ne pas dépasser le poids nominal sur l'essieu recommandé par le fabricant du véhicule. Vérifier que le ressort AEON<sup>®</sup> n'a pas d'incidence sur d'autres pièces du véhicule - Le ressort AEON<sup>®</sup> augmentera son diamètre avec la charge.

No exceda la carga nominal en el eje recomendada por el fabricante del vehículo. Compruebe que no haya interferencia entre el resorte AEON<sup>®</sup> y los otros componentes del vehículo. Bajo carga, el resorte AEON<sup>®</sup> se ampliará en diámetro.

**GMRTT35S**

## GMRTT35S

TIMBREN INDUSTRIES INC.

[www.timbren.com](http://www.timbren.com)

| PART NUMBER | DESCRIPTION                           | QTY | LOCATION |
|-------------|---------------------------------------|-----|----------|
| F31003-150  | NYLOCK LOCKNUT 3/8 UNF GR 5 Z         | 4   | G1C      |
| F40031-020  | WASHER FLAT USS 3/8 x 1 GR 2 Z        | 4   | G1C      |
| F11062-150  | HCS 3/8 x 1-1/4 UNF GR 5 Z            | 4   | G1C      |
| F11064-250  | HCS 3/8 x 1-3/4 UNC GR 5 Z            | 2   | G3D      |
| F11068-250  | HCS 3/8 x 2-3/4 UNC GR 5 Z            | 2   | G3C      |
| F42033-020  | WASHER FENDER 3/8 x 1-1/2 (#3) GR 2 Z | 2   | G4A      |

|               |   |   |     |
|---------------|---|---|-----|
| A0103B-75Q00  | Hollow Rubber Spring                      | 2 | C1A |
| A25723-90AH00 | RUBBER SPACER 4"od x 1" thk w/ AH Bushing | 2 |     |

|              |                      |   |      |
|--------------|----------------------|---|------|
| K10539LH-003 | GMR WELDMENT LH PTD. | 1 | D13E |
| K10539RH-003 | GMR WELDMENT RH PTD. | 1 | D13E |

|            |                                 |   |      |
|------------|---------------------------------|---|------|
| B90201-CR  | LARGE REAR BOX - 10.5 x 8.5 x 6 | 1 | A--D |
| B10000     | 8" x 12" BUBBLE FOR KITS        | 1 |      |
| B00029-010 | BARCODE LABEL FOR KIT           | 1 |      |

Issued: 12/18/2009

### Clearance Instructions:

Rear SES Kits for Pick-Ups and Vans should have a 1/2" to 1-1/2" gap between the rubber spring and contact point when empty.

A partial load, or vehicle accessories will reduce or eliminate the gap.

Front SES kits are usually in full contact.

Medium and Heavy-Duty Trucks, Trailers and Motorhomes will be in constant contact, and have no gap.

### Lifetime Warranty:

Timbren SES Kits are warranted against defects in material and workmanship, under normal use and service, for the life of the vehicle on which the kit was originally installed. The warranty is not transferable and proof of purchase is required. The warranty is limited to the replacement of the failed part.

TIMBREN will not be responsible for any labour or freight charges involved in the replacement of any product. TIMBREN shall be entitled to make its own inspection to determine the validity of the claim. TIMBREN shall not be liable nor warranty the product in the event of alteration, misuse, overload, negligence or damage caused by others.

If ride or performance of our product is unsatisfactory in any way, please call: 1-800-263-3113 or email [sales@timbren.com](mailto:sales@timbren.com)

### ASSEMBLY NOTES:

**APPLY LEFT/FRONT LABEL TO L/H BRACKET**