

KEEPER PERFORMANCE ENGINEERED™ WINCHES



*DOES NOT INCLUDE MOUNTING PLATE

OWNER'S MANUAL MANUEL DE L'UTILISATEUR / MANUAL DEL PROPIETARIO MODEL / MODÈLE / MODELO: KV10.5

**12V DC ELECTRIC WINCH
TREUIL ÉLECTRIQUE 12 Vcc. / CABRESTANTE ELÉCTRICO DE 12 V CC**

⚠ CAUTION! / ATTENTION! / PRECAUCIÓN! ⚠

**READ AND UNDERSTAND THIS MANUAL BEFORE INSTALLATION AND OPERATION OF THIS PRODUCT.
VEUILLEZ LIRE ET VOUS FAMILIARISER AVEC CE MANUEL AVANT L'INSTALLATION
ET LA MISE EN SERVICE DU PRODUIT.**

LEA Y ENTIENDA ESTE MANUAL ANTES DE LA INSTALACIÓN Y FUNCIONAMIENTO DE ESTE PRODUCTO

**DO NOT RETURN THIS PRODUCT TO SELLER. CALL KEEPER WINCH AT 800-533-7372 FOR ASSISTANCE
NE PAS RETOURNER LE PRODUIT AU REVENDEUR. APPELEZ KEEPER WINCH
AU 1-800-533-7372 POUR OBTENIR DE L'AIDE.**

NO DEVUELVA ESTE PRODUCTO AL VENDEDOR, LLAME A KEEPER WINCH AL 800-533-7372 PARA OBTENER AYUDA.

Hampton Products International Corp.
322 Main St.
Willimantic, CT 06226
800-533-7372
www.keeperwinches.com or keeperwinches@hamptonproducts.com

KV10.5 12 Volt DC ELECTRIC WINCH

Designed for Vehicle Recovery, Vehicle Trailers and General Winching Applications.
THIS PRODUCT IS NOT INTENDED FOR LIFTING/HOISTING

Assembly & Operating Instructions



PLEASE READ ALL SAFETY PRECAUTIONS AND WARNINGS BEFORE INSTALLING AND USING THE WINCH! IF YOU HAVE ANY QUESTIONS PLEASE CONTACT OUR CUSTOMER SERVICE DEPARTMENT LISTED BELOW.

Introduction

Thank you for purchasing your KEEPER® Winch.

PLEASE READ ALL INSTRUCTIONS, PAYING SPECIAL ATTENTION TO THE SAFETY INSTRUCTIONS.

Your KEEPER® Winch has been designed and manufactured to provide years of trouble-free operation.

If you are not satisfied, for any reason, please contact Customer Service at 800-533-7372, visit our website: www.keeperwinches.com or contact keeperwinches@hamptonproducts.com. When requesting information in regard to this winch, please give the following information:

Winch Part # _____ and Serial number _____.

(Please write down this information here for future reference.) (Found on Motor Housing)

Please read and understand this Owner's Manual prior to installing and operating this product. **PAY PARTICULAR ATTENTION TO THE GENERAL SAFETY INFORMATION.** Your Winch is a powerful machine. If used unsafely or improperly, there is a possibility that property damage and/or personal injury can result. Your safety ultimately depends on your caution when using this product.

General Description

This KEEPER® Winch is equipped with a series wound, 12 Volt DC motor and is designed for **INTERMITTENT GENERAL DUTY USE**. This electric winch is similar to most electric motor driven tools and should not be allowed to become overly hot. Stop winch if motor starts to labor or end of motor becomes hot to the touch. Stop winching and allow motor to cool down.

Minimum electrical requirements are 60 amp alternator and battery with 650 CCA (cold cranking amp) capacity.

This Winch (**FIGURE 1**) is not intended for use in lifting/hoisting applications and the manufacturer does not warrant it to be suitable for such use.

The Freespool Clutch disengages the gearbox to allow the wire rope to be pulled out without using electric power. A Remote Switch with 15' lead allows a wide variety of mounting options.

Wire Cable Assembly is 85' X 3/8". Usable length is 80 feet.

Wiring harness to battery length is 6 feet.

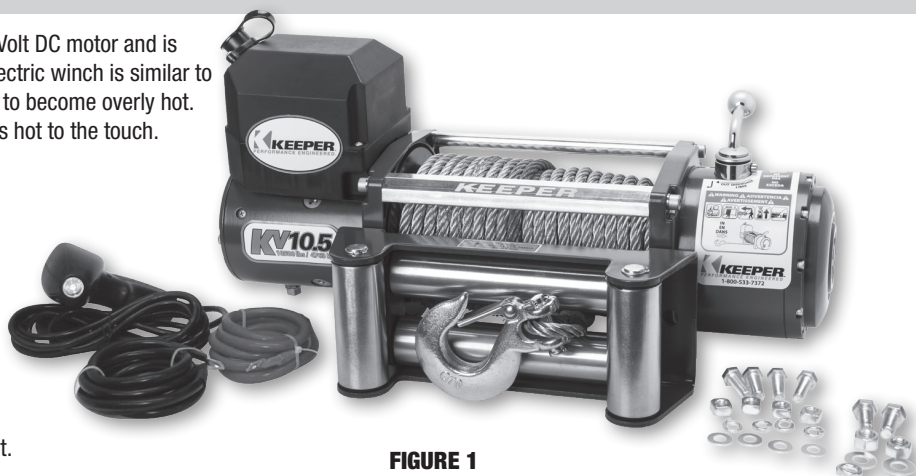


FIGURE 1

***DOES NOT INCLUDE MOUNTING PLATE**

Performance

KV 10.5 SPECIFICATIONS

Part Number:	KW10022
Rated Line Pull:	10,500 lbs., 4,763 kg.
Motor - Series Wound:	5.5HP 12V DC
Control:	Hand Held Remote on 15' lead with built-in High Density Light
Switching:	High Duty cycle Sealed Solenoid Pack
Gear Train:	High Efficiency 3-Stage Planetary Gear Set
Gear Reduction:	265:1
Clutch (Freespooling):	Sliding Ring Gear
Brake:	Mechanical Automatic Cam Activated
Wire Rope:	85' (26 m) of 3/8" (9.5 mm) Diameter Galvanized Wire Rope with Looped Thimble, Latched Clevis Hook and Red Warning Area.
Drum Diameter/Length:	Diameter - 2.5" (63.5 mm) / Length - 8.8" (224 mm)
Fairleads:	4-way Roller Fairlead
Battery Leads:	2 Gauge, 72" (1.83 m)
Battery:	Minimum 650 CCA
Application:	General Utility Load Recovery/Trailer, Truck, Tractor, Equipment
Finish:	High-Gloss gray Powder Coat over Undercoating
Weight:	96 lbs. / 43.6 kg.

THIS PRODUCT IS NOT INTENDED FOR LIFTING / HOISTING

12V DC PERFORMANCE - MODEL KV10.5

Line Pull Lbs. (kg)	Line Speed FPM (MPM)	Motor Amp Draw
0	18 (5.5)	100
2,000 (907)	16.6 (5.1)	160
4,000 (1,814)	12.2 (3.7)	220
6,000 (2,722)	9.8 (3.0)	260
8,000 (3,629)	8.1 (2.5)	310
10,500 (4,763)	3.8 (1.2)	350

Rolling Load Capacities (1st Layer)

SLOPE*	10% (4.5°)	20% (9°)	40% (18°)	60% (27°)	100% (45°)
Lbs.	52,763	35,711	22,628	17,472	13,545
Kgs.	23,933	16,198	10,264	7,925	6,144

*SLOPE: a one (1') rise over ten (10') feet in length equals a GRADE of 10%. A 10% grade is equal to a 9.5° incline angle. Therefore a 100% grade equals a 45° angle of incline.

General Safety Information

⚠ WARNING ⚠

Your KEEPER® Winch is a very powerful machine. If used unsafely or improperly, serious personal injury and/or property damage can result.

- 1. READ AND UNDERSTAND THIS MANUAL BEFORE OPERATING YOUR WINCH.** After installing the Winch, practice using it before the need arises. **NEVER ALLOW PERSONS UNFAMILIAR WITH THIS PRODUCT TO OPERATE IT.**

ALWAYS WEAR SAFETY GLASSES WHILE WORKING WITH MACHINERY.

- 2. DO NOT EXCEED RATED CAPACITY OF THE WINCH. DO NOT OVERLOAD! DO NOT ATTEMPT PROLONGED PULLS OF HEAVY LOADS!** Overloads can damage the Winch and/or the wire rope and create unsafe operating conditions. **FOR LOADS OVER 75% OF THE RATED WINCH CAPACITY, WE RECOMMEND THE USE OF A PULLEY BLOCK (not included) TO DOUBLE LINE THE WIRE ROPE (FIGURE 2).** This reduces the load on the Winch, the strain on the wire rope and electrical system.

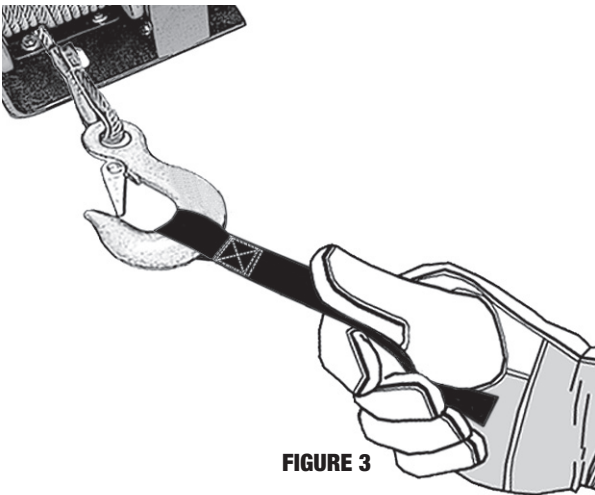


FIGURE 3

- 10. NEVER HOOK THE WIRE ROPE BACK ONTO ITSELF.** This will damage the wire rope. Use a winch sling, tree saver or other recommended accessory for this type connection. (FIGURE 4)



FIGURE 4

- 11. It is highly recommended to lay a heavy cloth (such as a blanket or tarp) over the wire rope when pulling heavy loads (FIGURE 5).** If a wire rope failure should occur, the cloth will act as a damper and help prevent the wire rope from whipping. If mounted on the front of a vehicle then raise the hood for further protection.

FIGURE 5

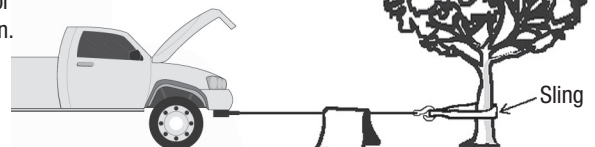
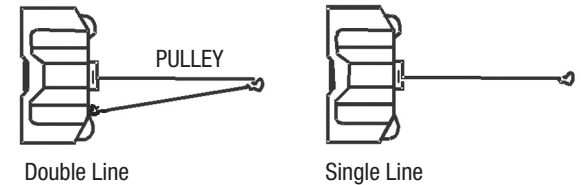


FIGURE 2



Double Line

Single Line

THIS PRODUCT IS NOT INTENDED FOR LIFTING / HOISTING

12. NEVER USE YOUR WINCH FOR LIFTING OR MOVING PEOPLE!

13. YOUR WINCH IS NOT INTENDED FOR OVERHEAD HOISTING OPERATIONS.

14. AVOID CONTINUOUS PULLS FROM EXTREME ANGLES.

This will cause the wire rope to pile up on one end of the drum (FIGURE 6).

This can jam the wire rope in the Winch, causing damage to the wire rope or Winch.

15. NEVER OBSCURE THE WARNING INSTRUCTION LABELS ON THE WINCH.

16. Always operate Winch with an unobstructed view of the Winching operation.

17. Equipment such as hooks, pulley blocks, straps, etc. should be sized for winch capacity and periodically inspected for damage that could reduce their strength.

18. NEVER RELEASE FREESPOOL CLUTCH WHEN THERE IS A LOAD ON THE WINCH.

19. NEVER WORK ON OR AROUND THE WINCH DRUM WHEN WINCH IS UNDER LOAD.

20. DO NOT OPERATE WINCH WHEN UNDER THE INFLUENCE OF ANY DRUGS OR ALCOHOL.

21. ALWAYS DISCONNECT WINCH POWER LEADS TO BATTERY BEFORE WORKING ON OR AROUND THE WINCH DRUM so that Winch cannot be turned on accidentally.

22. When moving a load, slowly take up wire rope slack until it is taut. Stop, recheck all Winching connections. Be sure the hook is properly seated.

If a nylon sling is used, check the attachment to the load.

23. When using a vehicle mounted Winch to move a load, place the vehicle transmission in neutral (never in Park), set vehicle hand-brake, and chock all wheels.

24. DO NOT USE THE WINCH TO HOLD LOADS IN PLACE. Use other means of securing loads such as KEEPER® brand tie-down straps. For tie-down information go to www.keepercorp.com

25. USE ONLY FACTORY APPROVED SWITCHES, REMOTE CONTROLS AND ACCESSORIES. Use of non-factory approved components may cause injury or property damage and could void your warranty.

26. DO NOT MACHINE OR WELD ANY PART OF THE WINCH. Such alteration may weaken the structural integrity of the Winch and could void your warranty.

27. This is a 12 Volt DC Winch. **CONNECT ONLY TO 12 VOLT DC BATTERY. DO NOT CONNECT WINCH TO EITHER 110V OR 220V AC CURRENT AS WINCH WILL BURN OUT OR FATAL SHOCK WILL OCCUR.** This will void warranty.

28. Never allow shock loads to be applied to Winch, wire rope or synthetic rope.

29. Use extreme caution when winching a load up and down a ramp or incline.

30. Keep people, other than operator, pets, and property clear of Winching path, front, rear and sides for 100'.

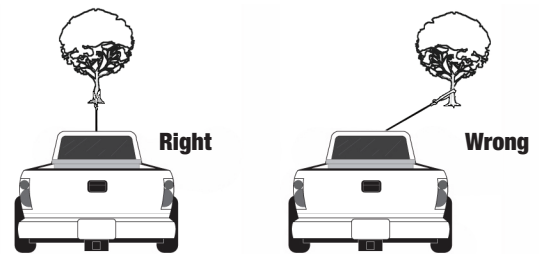


FIGURE 6

Freespool Operation

Turn clutch handle to the disengage position shown on decal (FIGURE 7). NEVER RELEASE FREE-SPOOL CLUTCH WHEN THERE IS A LOAD ON THE WINCH. DO NOT FORCE THE HANDLE. Release tension on the clutch by winching out some of the wire rope. Release the clutch and pull out the wire rope and secure to anchor or load. Check that there are at least five (5) wraps of wire rope left on the drum. Re-engage the drum by returning the clutch handle to the engaged position. (FIGURE 7)

ENGAGE

DISENGAGE

Clutch Handle

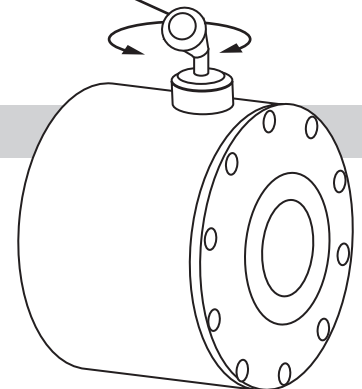


FIGURE 7

CAUTION Clutch must be fully engaged before Winching. NEVER ENGAGE CLUTCH HANDLE WHILE DRUM IS TURNING.

Winch Installation

Correct installation of your Winch is required for proper operation. Installation should be on a flat surface following the bolt pattern shown in FIGURE 9.

A mounting plate (part number KWA14622) is available.

Call 800-533-7372 or go to www.keeperwinches.com.

Detailed mounting instructions are provided with the mounting plate. Read and follow directions carefully to ensure proper Winch alignment and trouble free operation.

This Winch **MUST** be mounted with the wire rope in the under-wind direction (FIGURE 8).

MUST use only genuine Keeper Winch replacement Wire Rope.

WARNING

Improper mounting could damage your Winch and void your warranty.

Step 1 Mount the Winch to the mounting kit base plate or to the mount that you have designed. Mount must be a flat surface capable of handling winch loads. Proper mounting bolts are supplied. If using the Roller Fair Lead included, install now to mounting plate. You will need to remove the clevis hook to fit wire rope through rollers.

FIGURE 8

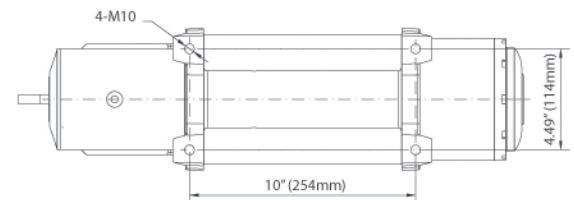
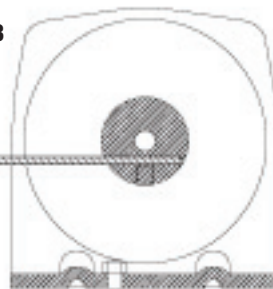
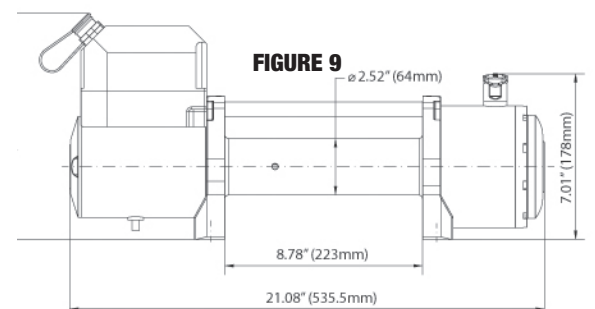


FIGURE 9



Winch Installation

Correct installation of your Winch is required for proper operation. Installation should be on a flat surface following the bolt pattern shown in **FIGURE 1**.

Read and follow directions carefully to ensure proper Winch alignment and trouble free operation. This Winch **MUST** be mounted with the wire rope in the under-wind direction (**FIGURE 8**). **MUST** use only genuine Keeper Winch replacement Wire Rope.

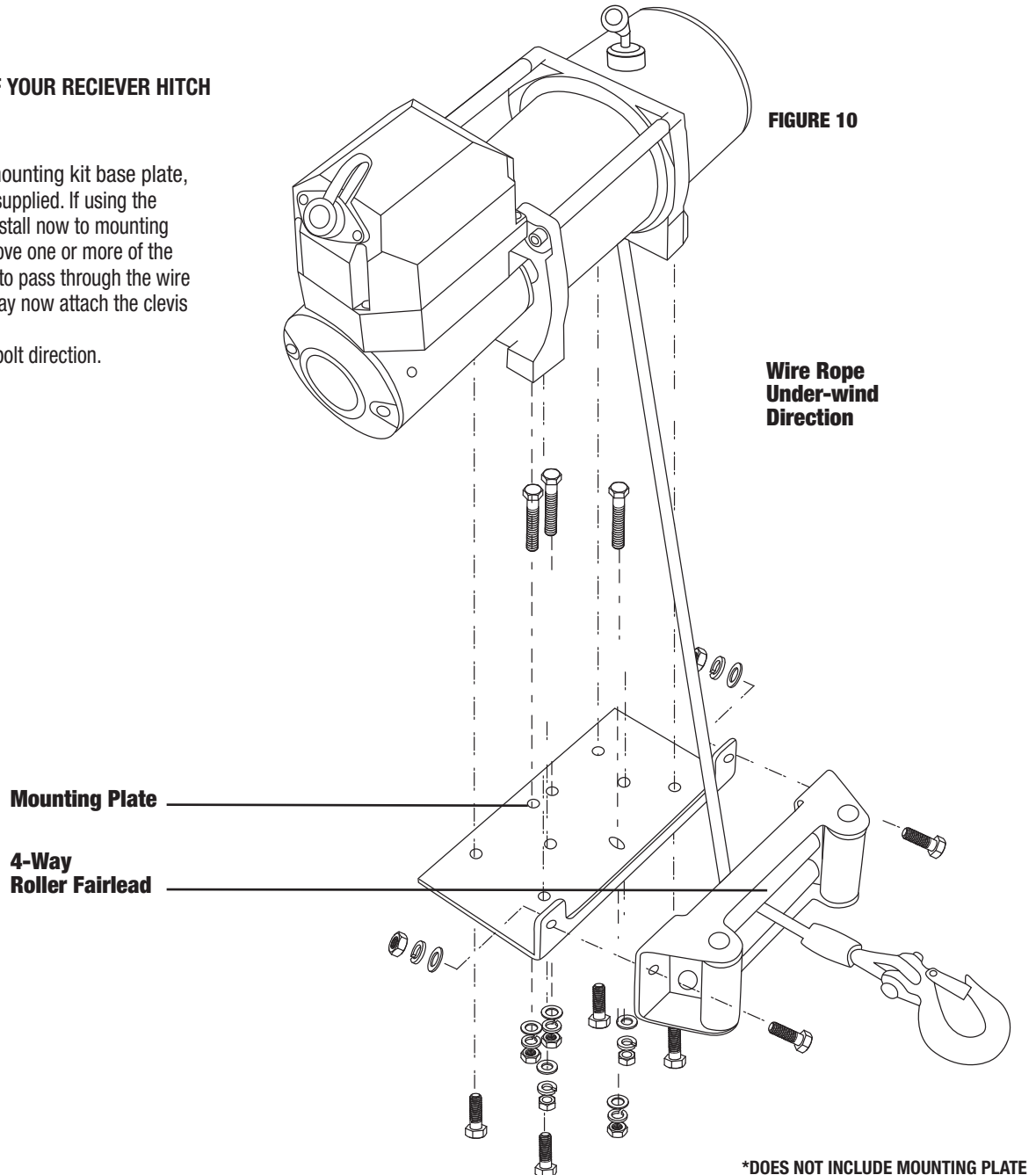
! WARNING !

Improper mounting could damage your Winch and void your warranty.

! WARNING !

DO NOT EXCEED THE RATING OF YOUR RECIEVER HITCH

Step 1 Mount the Winch to the mounting kit base plate, proper mounting bolts are supplied. If using the Roller Fair Lead included, install now to mounting plate. You may need to remove one or more of the rollers on the roller fairlead to pass through the wire rope. After doing this you may now attach the clevis hook. See **(Figure 10)** for order and bolt direction.



⚠ WARNING ⚠

USE ONLY 3/8" -16 UNC BOLT AND NUTS WITH MINIMUM ISO GRADE 8.8.

⚠ WARNING ⚠

Batteries contain gases, which are flammable and explosive. **WEAR EYE PROTECTION DURING INSTALLATION AND REMOVE ALL METAL JEWELRY.** Do not lean over battery while making connections.

⚠ WARNING ⚠

Ensure that the wiring harness does not interfere or come in contact with any hot or moving engine, suspension, steering, braking or exhaust parts.

MINIMUM ELECTRICAL REQUIREMENTS ARE 60 AMP ALTERNATOR AND BATTERY WITH 650 CCA (COLD CRANKING AMP) CAPACITY.

Step 2 Follow electrical connection diagram (FIGURE 11). Bolt the circuit breaker to the terminal end of the Red 2 GA battery lead that is factory connected to the sealed solenoid switching pack. Now connect the circuit breaker to the positive battery terminal.

Step 3 Connect Black 2 GA battery lead to the negative motor terminal located on the bottom of the motor and also connect the Black 14 GA ground lead from the solenoid pack to the same negative motor terminal.

Step 4 Connect the other terminal end of the Black 2 GA battery lead to the negative battery terminal.

Step 5 Remove the dust cover on the plug receptacle and insert the plug end of the hand held switch. The plug end is keyed and will fit easily onto the socket only one way. **DO NOT FORCE.**

Step 6 Turn the freespool clutch handle to the Disengage position (See FIGURE 7). Pull 5 feet of wire rope off the drum. Return the freespool clutch handle back to Engaged position. Activate the Winch cable in and out by momentarily pressing the hand held switch to check drum rotation direction. The switch is labeled "IN" for winching in and "OUT" for winching out. When released the switch will automatically go to the off position. **IF THIS DOES NOT OCCUR THEN TAKE THE PLUG OFF THE RECEPTACLE.**

If the drum rotates in the wrong direction then check the trouble shooting area in this manual or call for assistance 800-533-7372.

Step 7 You are now ready to winch. Practice winching operations by freespooling cable out and winching in under no load. Plan some tests in advance and learn to watch and listen. Recognize the sound of a light steady pull, a heavy pull and sounds caused by load jerking or shifting. You will gain confidence. **ALWAYS WEAR SAFETY GLASSES, LEATHER GLOVES AND USE THE HAND SAVER STRAP (FIGURE 3).**

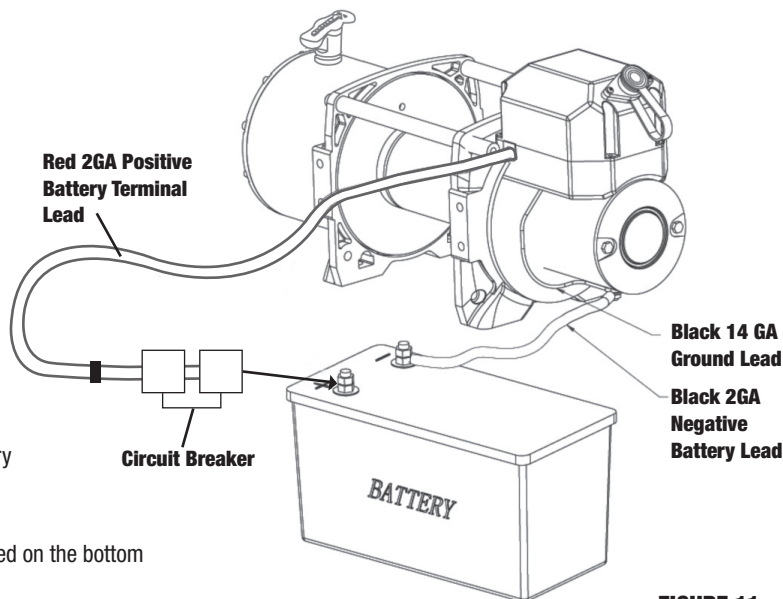


FIGURE 11

Extending the Life of Your Winch

- 1. KEEP A TIGHTLY WOUND WIRE ROPE DRUM.** Keep the wire rope tightly and evenly wound on the drum all the time. Do not allow the wire rope to become loosely wound. A loosely wound drum allows a wire rope under load to work its way down into the layers of wire rope on the drum. When this happens, the wire rope may become wedged within the body of the windings damaging the wire rope. A good practice is to rewind the wire rope under tension after each use. Apply tension using hand saver strap (FIGURE 3) and ALWAYS wear gloves.
- 2. DO NOT ALLOW WINCH MOTOR TO OVERHEAT.** Keep the duration of pulls as short as possible. If the motor becomes uncomfortably hot by touching, stop winching and allow the motor to cool down. **KEEP THE VEHICLE ENGINE RUNNING TO RECHARGE THE BATTERY** during the cooling break.
- 3. USE A PULLEY BLOCK FOR HEAVY LOADS.** To maximize Winch and wire rope life, use a pulley block (not included) to double line heavier loads. (See FIGURE 2) (See www.keeperwinches.com for part number **KWA14550**) Always use a pulley block that is rated twice the capacity of the winch.

⚠ CAUTION ⚠

If the winch motor stalls, do not continue to apply power.

- The pull required to start a load moving is often much greater than the pull required to keep it moving. **AVOID FREQUENT STOPS AND STARTS DURING THE PULL.**
- 5. PREVENT KINKS IN WIRE ROPE BEFORE THEY OCCUR. (FIGURE 12)**
 - This is the start of a kink. Wire rope should be straightened.
 - Wire rope was pulled and loop has tightened into a kink. Wire rope is now permanently damaged and **MUST** be replaced.
 - Result of kinking is that each strand pulls a different amount causing strands under greatest tension to break and reduce load capacity of wire rope. The wire rope **MUST** be replaced. Use only genuine Keeper Winch replacement parts. **Contact keeperwinches@hamptonproducts.com to order.**

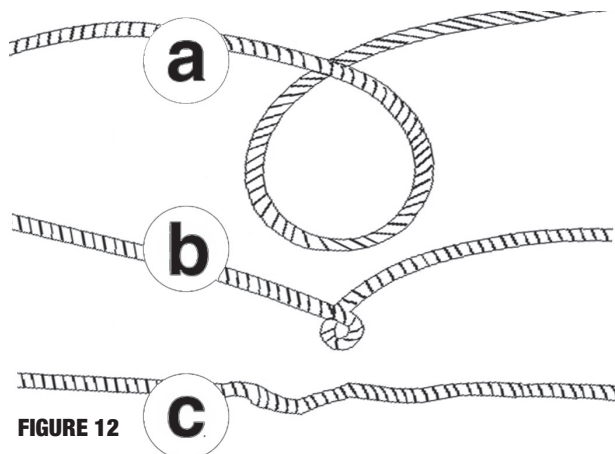


FIGURE 12

Replacing The Wire Rope

⚠ WARNING ⚠

Never Substitute a heavier or lighter wire rope. Never use rope made of any other materials other than wire or approved synthetic winch rope.

Use only Galvanized Wire Rope, 85' X 3/8"

Attch wire rope to the drum using screw provided **FIGURE 12**.

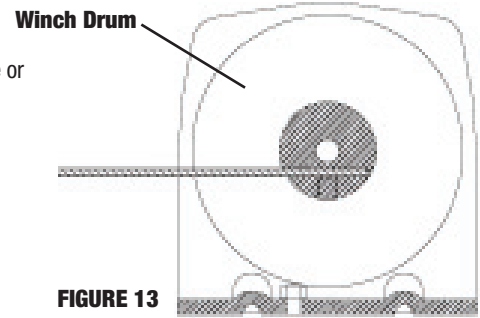


FIGURE 13

Maintenance & Repair

⚠ WARNING ⚠

Before each use, check mounting bolts for tightness, inspect cable for damage. Inspect remote control assembly for any damage. Periodically use a clean, dry towel to remove dirt and debris from winch housing.

Lubrication: The gear box is permanently lubricated. Do not attempt to disassemble the gear box. This will void your warranty.

Troubleshooting

If a problem arises, call Keeper® Winch Customer Service at 800-533-7372 or keeperwinches@hamptonproducts.com.

Symptom	Possible Causes	Corrective Action
Motor will not operate or runs in one direction only	<ol style="list-style-type: none"> 1. Broken wires or bad battery connection 2. Switch inoperative 3. Damaged winch 4. Damaged solenoid 5. Circuit breaker malfunction 	<ol style="list-style-type: none"> 1. Check for poor connection(s) and that all wiring is tight and clean 2. Check that switch wires are connected properly to the solenoid 3. Replace or repair 4. Replace solenoid 5. Replace circuit breaker
Motor runs extremely hot	<ol style="list-style-type: none"> 1. Long period of operation 2. Damaged during operation 	<ol style="list-style-type: none"> 1. Allow to cool 2. Replace or repair
Motor runs but with insufficient power or line speed	<ol style="list-style-type: none"> 1. Weak/Low battery 2. Battery to Winch wire too long 3. Poor battery connection 4. Poor ground 5. Damaged motor 	<ol style="list-style-type: none"> 1. Recharge or replace battery. Check charging system. 2. Use only supplied wires. If increase in length is needed, drop down wire size to 2 or 3 AWG. 3. Check battery terminals for corrosion. Clean as required. 4. Check and clean connections 5. Replace or repair
Motor runs but drum does not turn	Clutch not engaged	Engage clutch
Winch runs backwards	<ol style="list-style-type: none"> 1. Battery wires reversed 2. Switch wires reversed 3. Switch installed incorrectly 	<ol style="list-style-type: none"> 1. Recheck wiring 2. Recheck wiring 3. Check switch installation

For replacement parts contact KEEPER® Winch Customer Service at 800-533-7372 or email us at keeperwinches@hamptonproducts.com

LIMITED LIFETIME WARRANTY: Hampton Products International Corporation Warrants product according to provisions below: Mechanical components are warranted for lifetime of the winch to be free from defects of material and workmanship. Electrical components are warranted for 1 year to be free from defects of material or workmanship. If a defect in material or workmanship occurs, call 800-533-7372 for instructions on how to have the Product repaired or replaced. This Warranty applies only to the original Purchaser/Consumer of the Products from the date of purchase of the Product. Defective Products returned become property of the manufacturer. Limitations on the Warranty: The following limitations apply to the Warranty: (a) The Warranty applies only to Products which are defective in material or workmanship. This Warranty does not cover normal wear and tear. The Warranty does not cover service or labor charges which are incurred in removing or replacing any Product. (b) The Warranty does not cover the winch finish or wire rope. Accordingly, the manufacturer will not replace, repair or refinish any Products if the finish on the Product is worn in any manner. (c) The Warranty does not extend to Products which are damaged or which fail as a result of the Product being abused, neglected, or misused in any manner, or as a result of any accident, or which are misapplied, overloaded, improperly installed, or altered in any manner by anyone other than the manufacturer its agents or representatives.

Obligations of Purchaser/Consumer. To obtain the benefits of the Warranty, The Purchaser/Consumer must return the defective Product(s), freight prepaid together with proof of purchase within the warranty period from the date of purchase to Hampton Products or an authorized service center.

Legal Rights and Limitations of Purchaser/Consumer. THIS WARRANTY GIVES YOU SPECIFIC LEGAL RIGHTS AND YOU ALSO MAY HAVE OTHER RIGHTS WHICH VARY FROM STATE TO STATE. ANY IMPLIED WARRANTY OF MERCHANTABILITY OR FITNESS FOR A PARTICULAR PURPOSE ON ANY PRODUCT SHALL BE LIMITED TO TERMS OF WARRANTY FROM THE DATE OF PURCHASE AT RETAIL TO THE ORIGINAL PURCHASER. SOME STATES DO NOT ALLOW LIMITATIONS

©2013 Hampton Products International Corp.

322 Main St.

Willimantic, CT 06226

800-533-7372

www.keeperwinches.com or keeperwinches@hamptonproducts.com

999-01000_KV10022_REVA 11/13

THIS PRODUCT IS NOT INTENDED FOR LIFTING / HOISTING

TREUIL ÉLECTRIQUE 12 Vcc, 10,5 kV

Conçu pour le dépannage de véhicule, les remorques de véhicule et les applications générales nécessitant un treuil.
CE PRODUIT N'EST PAS DESTINÉ AUX OPÉRATIONS DE LEVAGE/GRUTAGE

Instructions relatives au montage et au fonctionnement

⚠ ATTENTION ⚠ VEUILLEZ LIRE TOUTES LES RECOMMANDATIONS DE PRÉCAUTIONS ET TOUS LES AVERTISSEMENTS AVANT D'INSTALLER ET D'UTILISER LE TREUIL ! POUR TOUTES QUESTIONS, VEUILLEZ VOUS ADRESSER AU SERVICE APRÈS-VENTE INDIQUÉ CI-DESSOUS.

Introduction

Merci d'avoir acheté votre treuil KEEPER®.

VEUILLEZ LIRE TOUTES LES INSTRUCTIONS EN PRÊTANT UNE ATTENTION PARTICULIÈRE AUX CONSIGNES DE SÉCURITÉ.

Votre treuil KEEPER® Winch a été conçu et fabriqué pour vous assurer de nombreuses années de fonctionnement sans pannes.

Si pour une raison quelconque votre satisfaction n'est pas totale, veuillez vous adresser au Service après-vente en composant le 800-533-7372, ou bien visitez notre site Internet : www.keeperwinches.com ou encore, adressez un message à keeperwinches@hamptonproducts.com. Si vous demandez des renseignements concernant le treuil, veuillez indiquer les spécifications suivantes :

Numéro de référence du treuil : _____ et Numéro de série _____.

(Veuillez inscrire ces renseignements ici pour référence future.) (Vous trouverez ces numéros sur le capot du moteur.)

Veuillez lire et vous familiariser avec le Manuel de l'utilisateur avant d'installer et de mettre ce produit en service. **PRÊTEZ UNE ATTENTION PARTICULIÈRE AUX CONSIGNES DE SÉCURITÉ.** Votre treuil est une machine puissante. Il est possible, s'il est utilisé dans des conditions dangereuses ou incorrectement, que des dommages matériels et corporels se produisent. Votre sécurité dépend finalement des précautions que vous aurez prises en utilisant ce produit.

Description générale

Le treuil KEEPER® est pourvu d'un moteur pour courant continu de 12 volts excité en série, conçu pour **UN SERVICE GÉNÉRAL INTERMITTENT**. Ce treuil électrique est semblable à la plupart des outils entraînés par moteur électrique et il ne faut pas le laisser surchauffer. Arrêter le treuil si le moteur manifeste des signes de fatigue ou si l'extrémité du moteur devient chaude au toucher. Arrêter l'opération du treuil et laisser refroidir le moteur. Les spécifications minimales électriques sont un alternateur de 60 ampères et une capacité batterie de 650 ampères de démarrage à froid (CCA).

Ce treuil (**FIGURE 1**) n'est pas destiné aux applications de levage/grutage et le fabricant ne garantit pas que le treuil est adapté à de tels usages. Le débrayage manuel permet la mise en roue libre du tambour en débrayant la boîte de vitesse, ce qui permet de tirer le câble métallique sans usage d'énergie électrique. Une télécommande filaire avec câble d'environ 5 mètres de long offre une grande variété d'options. L'ensemble du câble de traction a 25,91 m de long x 9,5 mm de diamètre (85 pieds X 3/8 po). La longueur utilisable est de 24,38 mètres. Le faisceau de câbles raccordé à la batterie a 1,83 m de long.



FIGURE 1

*PLAQUE DE MONTAGE NON COMPRISE

Performances

SPÉCIFICATIONS DU TREUIL 10,5 kV

Numéro de référence :	KW10022
Force de traction nominale en ligne :	4,763 kg. (10,500 lbs.)
Moteur – excitation en série :	5,5 HP, 12 Vcc
Commande :	Télécommande filaire avec 5 mètres de câble et lampe-torche haute densité incorporée
Commutation :	Solénoïde en boîtier scellé pour service sévère
Train d'engrenages :	Engrenage planétaire à 3 étages haut rendement à rapport de réduction
Démultiplication :	265:1
Débrayage manuel (tambour en roue libre) :	Engrenage à fourrure coulissante
Frein :	Activation mécanique automatique par came
Câble métallique :	Câble acier galvanisé de 26 m (85 pieds) de long et 9,5 mm (3/8 po) de diamètre, avec tête en boucle, crochet à chape verrouillé et zone d'alarme rouge.
Diamètre du tambour/longueur :	Diamètre – 63,5 mm (2,5 po)/longueur – 224 mm (8,8 po)
Guide-câble :	Rouleaux 4 directions
Câbles de batterie :	Calibre 2; 1,83 m (72 po)
Batterie :	Capacité batterie minimale 650 CCA
Application:	Charge utilitaire générale, dépannage/remorquage, camion, tracteur, équipement
Fini :	Couche de peinture poudre extérieure, gris brillant éclatant sur couche d'apprêt
Poids :	96 lbs. / 43.6 kg.

CE PRODUIT N'EST PAS DESTINÉ AUX OPÉRATIONS DE LEVAGE/GRUTAGE

PERFORMANCES EN 12 Vcc

Force de traction en ligne – kg/(lb)	Vitesse de déroulement en ligne MPM/(FPM)	Consommation (ampères) du moteur
0	18 (5.5)	100
2,000 (907)	16.6 (5.1)	160
4,000 (1,814)	12.2 (3.7)	220
6,000 (2,722)	9.8 (3.0)	260
8,000 (3,629)	8.1 (2.5)	310
10,500 (4,763)	3.8 (1.2)	350

Capacité de charge d'enroulement (1ère couche)

PENTE*	10 % (4,5°)	20 % (9°)	40 % (18°)	60 % (27°)	100 % (45°)
Lb	52,763	35,711	22,628	17,472	13,545
Kg	23,933	16,198	10,264	7,925	6,144

*PENTE : un pied (1') d'élévation sur dix pieds (10') de longueur correspond à une DÉCLIVITÉ de 10 %. Une déclivité de 10 % est égale à un angle de 9,5° (degrés). Par conséquent, une déclivité de 100 % est égale à un angle ayant une pente de 45°

Consignes générales concernant la sécurité

AVERTISSEMENT Votre treuil KEEPER® est une machine très puissante. S'il est utilisé dans des conditions dangereuses ou incorrectement, des dommages matériels et/ou corporels graves peuvent se produire.

1. VEUILLEZ LIRE ET VOUS FAMILIARISER AVEC CE MANUEL AVANT LA MISE EN SERVICE DU TREUIL.

Après l'installation du treuil, exercez-vous à le faire fonctionner avant d'être dans la nécessité de le faire. NE PERMETTEZ JAMAIS À UNE PERSONNE NON FAMILIARISÉE AVEC CE PRODUIT DE LE FAIRE FONCTIONNER.

PORTEZ TOUJOURS DES LUNETTES DE SÉCURITÉ PENDANT QUE VOUS UTILISEZ CETTE MACHINE.

2. NE DÉPASSEZ PAS LA CAPACITÉ NOMINALE DU TREUIL. NE LE SURCHARGEZ PAS ! NE TENTEZ PAS

D'EFFECTUER DES TRACTIONNEMENTS PROLONGÉS DE CHARGES LOURDES ! Toute surcharge peut endommager le treuil et/ou le câble métallique et créer des conditions d'exploitation dangereuses. **POUR LES CHARGES DÉPASSANT 75 % DE LA CAPACITÉ NOMINALE DU TREUIL, NOUS RECOMMANDONS D'UTILISER UN MOUFLE DE POULIE (non compris) POUR DOUBLER LE CÂBLE MÉTALLIQUE. (FIGURE 2).** Cela réduit la charge du treuil, la contrainte exercée sur le câble métallique et le système électrique.

3. **LE MOTEUR DU VÉHICULE DOIT TOURNER PENDANT LE FONCTIONNEMENT DU TREUIL.** Si vous faites fonctionner le treuil pendant que le moteur est à l'arrêt, la batterie risquera d'être trop faible pour faire redémarrer le moteur.

4. **NE faites PAS** fonctionner le véhicule pour aider le treuil à tirer la charge. La conjugaison du treuil et du véhicule exerçant ensemble une force de traction risquerait de surcharger le câble métallique et le treuil.

5. **QUAND LE TREUIL EST EN MARCHÉ, TENEZ-VOUS TOUJOURS À L'ÉCART DU CÂBLE MÉTALLIQUE, DE CROCHET ET DU TREUIL.**

6. **INSPECTEZ SOUVENT LE CÂBLE MÉTALLIQUE ET L'ÉQUIPEMENT. UN CÂBLE MÉTALLIQUE EFFILOCHÉ, VRILLÉ OU APLATI DOIT ÊTRE REMPLACÉ IMMÉDIATEMENT.** Inspectez régulièrement l'installation du treuil pour vérifier que les boulons sont bien serrés.

7. **PORTEZ DES GANTS EN CUIR ÉPAIS** pour manipuler le câble métallique. **NE LAISSEZ PAS LE CÂBLE MÉTALLIQUE SE DÉROULER DANS VOS MAINS, AVEC OU SANS GANTS. UTILISEZ TOUJOURS LA SANGLE DE TIRAGE MANUEL** pour guider l'enroulement et le déroulement du câble métallique. (FIGURE 3)

8. **NE FAITES JAMAIS FONCTIONNER LE TREUIL AVEC MOINS DE 5 ENROULEMENTS DE CÂBLE AUTOUR DU TAMBOUR DE TREUIL** car l'attache terminale du câble métallique risquerait de NE PAS pouvoir supporter la pleine charge.

9. **RESTEZ À L'ÉCART DU TREUIL, DU CÂBLE MÉTALLIQUE TENDU ET DU CROCHET PENDANT LE FONCTIONNEMENT DU TREUIL. NE PASSEZ JAMAIS AU-DESSUS D'UN CÂBLE TENDU.**

11. It is highly recommended to lay a heavy cloth (such as a blanket or tarp) over the wire rope when pulling heavy loads (FIGURE 5). If a wire rope failure should occur, the cloth will act as a damper and help prevent the wire rope from whipping. If mounted on the front of a vehicle then raise the hood for further protection.

10. N'ACCROCHEZ JAMAIS LE CÂBLE MÉTALLIQUE EN LE REPLIANT SUR LUI-MÊME.

Cela endommagerait le câble. Utilisez une élingue de treuil, une sangle-ceinture d'arbre ou autre accessoire recommandé pour ce type de raccordement. (FIGURE 4)

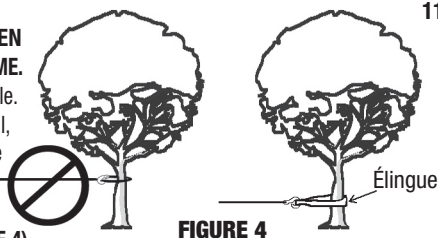


FIGURE 4

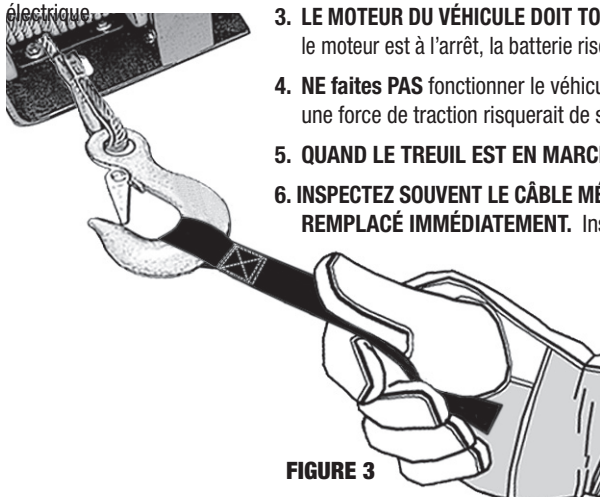


FIGURE 3

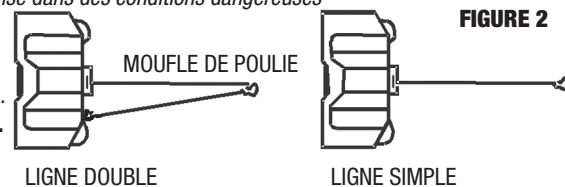


FIGURE 2

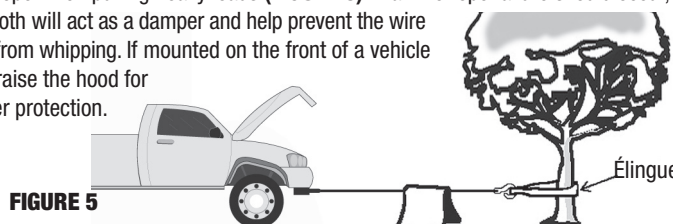


FIGURE 5

12. N'UTILISEZ JAMAIS VOTRE TREUIL POUR SOULEVER OU DÉPLACER DES PERSONNES !

13. LE TREUIL N'EST PAS CONÇU POUR LES OPÉRATIONS DE LEVAGE AÉRIEN.

14. ÉVITER LES OPÉRATIONS DE TRACTION EN CONTINU EN CONFIGURATION ANGULAIRE EXTRÊME.

Cela entraîne l'accumulation des enroulements de câble sur un seul côté du tambour (FIGURE 6).

Cela peut bloquer le câble métallique dans le treuil et endommager le câble ou le treuil.

15. N'OBSCURCISSEZ JAMAIS LES ÉTIQUETTES D'AVERTISSEMENT ET D'INSTRUCTIONS APPOSÉES SUR LE TREUIL.

16. Faites toujours fonctionner le treuil en vous ménageant une vue non obstruée des opérations accomplies par le treuil.

17. Les matériels tels que crochets, mouffles, élingues, sangles, etc. doivent être dimensionnés en fonction de la capacité du treuil et inspectés périodiquement pour détecter tout dommage pouvant affaiblir leur résistance.

18. NE RELÂCHEZ JAMAIS LE DÉBRAYAGE MANUEL (ROUE LIBRE) QUAND UNE CHARGE EST APPLIQUÉE AU TREUIL.

19. NE TRAVAILLEZ JAMAIS SUR LE TAMBOUR DE TREUIL OU AUTOUR DE CE DERNIER QUAND IL EST EN CHARGE.

20. NE FAITES JAMAIS FONCTIONNER LE TREUIL SI VOUS ÊTES INTOXIQUÉ PAR L'ALCOOL OU UNE DROGUE QUELCONQUE.

21. DÉBRANCHEZ TOUJOUR LES FILS DE LA BATTERIE AVANT DE TRAVAILLER SUR LE TAMBOUR DE TREUIL OU AUTOUR DE CE DERNIER afin d'éviter que le treuil ne se mette à tourner accidentellement.

22. Pour déplacer une charge, reprenez lentement le jeu du câble métallique jusqu'à ce que ce dernier soit tendu. Arrêtez, vérifiez à nouveau tous les raccords du treuil. Assurez-vous que le crochet est correctement mis en place. Si vous utilisez une élingue en nylon, vérifiez la fixation à la charge.

23. Quand vous utilisez un treuil monté sur véhicule pour déplacer une charge, mettez le changement de vitesse du véhicule sur le neutre (jamais en position de stationnement), appliquez le frein à main et bloquez toutes les roues.

24. N'UTILISEZ PAS LE TREUIL POUR MAINTENIR DES CHARGES STATIONNAIRES. Utilisez d'autres moyens de sécuriser les charges tels que les sangles d'amarrage de marque KEEPER®. Pour tous renseignements concernant les sangles d'amarrage, visitez le site Internet www.keepercorp.com

25. N'UTILISEZ QUE DES COMMUTEURS, TÉLÉCOMMANDES ET AUTRES ACCESSOIRES APPROUVÉS PAR L'USINE. L'usage de composants non approuvés peut entraîner des dommages corporels ou matériels et annuler la garantie.

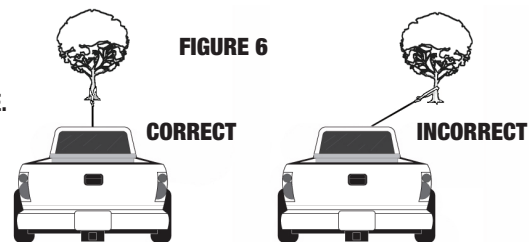
26. N'USINEZ NI NE SOUDEZ AUCUNE PIÈCE DU TREUIL. De telles modifications pourraient affaiblir l'intégrité structurale du treuil et annuler la garantie.

27. Ce treuil fonctionne sur alimentation en courant continu de 12 volts (12 Vcc). RACCORDEZ-LE EXCLUSIVEMENT À UNE BATTERIE 12 VCC. NE RACCORDEZ JAMAIS LE TREUIL À UNE ALIMENTATION EN COURANT ALTERNATIF 110 V OU 220 V CAR CELA GRILLERAIT LE MOTEUR DU TREUIL OU ENTRAÎNERAIT DES CHOCS ÉLECTRIQUES FATAUX. Cela annulerait également la garantie.

28. N'appliquez jamais de charges de choc accidentelles au treuil ou au câble métallique.

29. Usez d'extrêmes précautions pour déplacer avec le treuil une charge montante ou descendante le long d'une rampe ou d'un plan incliné.

30. Maintenez toutes les personnes autres que l'opérateur, tous les animaux et biens quelconques à l'écart du trajet du treuil, de l'avant, de l'arrière et des côtés du treuil en respectant au moins 30,4 mètres (100 pieds) de distance.



Fonctionnement du treuil en roue libre

Tournez la poignée de débrayage manuel jusqu'à la position de débrayage indiquée sur le schéma (FIGURE 7). **NE DÉCLENCHÉZ JAMAIS LE DÉBRAYAGE MANUEL POUR PASSER EN ROUE LIBRE QUAND UNE CHARGE EST APPLIQUÉE AU TREUIL. NE FORCEZ JAMAIS LA POIGNÉE DE DÉBRAYAGE.** Relâchez la tension sur la poignée de débrayage manuel pour faire défiler quelques enroulements de câble métallique. Relâchez le débrayage manuel et tirez le câble pour l'attacher à l'ancre ou à la charge. Vérifiez qu'il reste au moins cinq (5) enroulements de câble autour du tambour. Réenclenchez le tambour en tournant la poignée de débrayage jusqu'à la position d'embrayage. (FIGURE 7)

ATTENTION La poignée de débrayage manuel doit être totalement

enclenchée sur la position d'embrayage avant d'actionner le treuil. **NE JAMAIS ENCLENCHER LA POIGNÉE DE DÉBRAYAGE MANUEL PENDANT QUE LE TREUIL TOURNE.**

Installation du treuil

L'installation du treuil doit être correcte pour que le treuil fonctionne convenablement. L'installation doit se faire sur une surface horizontale selon le modèle de boulonnage illustré à la FIGURE 9.

Une plaque de montage (numéro de référence **KWA14622**) est disponible.

Composez le **1-800-533-7372** ou visitez le site Internet www.keeperwinches.com.

Des instructions de montage sont fournies avec la plaque de montage. Veuillez lire et suivre soigneusement le mode d'emploi pour vous assurer que le treuil est correctement aligné et qu'il fonctionnera sans problèmes.

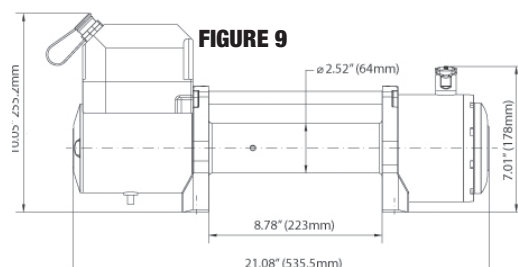
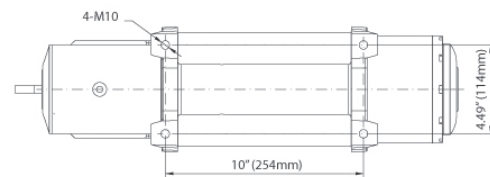
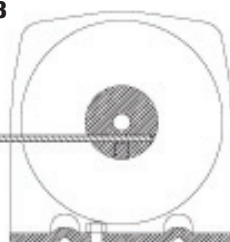
Ce treuil **DOIT** être installé de sorte que le câble métallique se déroule sous le tambour (FIGURE 8). On ne **DOIT** utiliser que du câble métallique de remplacement pour treuil Keeper original.

AVERTISSEMENT

Une installation incorrecte pourrait endommager le treuil et annuler la garantie.

Étape 1 Montez le treuil sur la plaque de base du kit de montage ou sur le montant que vous avez désigné. La surface de montage doit être plane et capable de supporter les charges du treuil. Les boulons d'assemblage corrects sont fournis. Si vous devez utiliser le guide câble à rouleaux inclus avec le produit, installez-le maintenant sur la plaque de base. Vous devrez enlever le crochet à chape pour faire passer le câble métallique à travers les rouleaux.

FIGURE 8



CE PRODUIT N'EST PAS DESTINÉ AUX OPÉRATIONS DE LEVAGE/GRUTAGE

Installation du treuil

Une installation adéquate du treuil est nécessaire pour assurer le bon fonctionnement. L'installation doit être effectuée sur une surface plate en suivant le modèle de pose des boulons illustré à la FIGURE 1.

Lisez et suivez soigneusement les instructions pour vous assurer d'un bon alignement du treuil et d'un fonctionnement sans problème. Ce treuil DOIT être monté avec le câble enroulé par-dessous (FIGURE 8). Vous DEVEZ utiliser uniquement le câble métallique de rechange original du treuil Keeper N° KWA14520 30,48 m x 8,3 mm (100 pi x 21/64 po).



AVERTISSEMENT



Une fixation mal effectuée pourrait endommager le treuil et annuler la garantie.



AVERTISSEMENT



NE PAS DÉPASSER LA VALEUR NOMINALE DE L'ATTELAGE RÉCEPTRICE

Étape 1 Fixez le treuil à la plaque de la trousse de fixation, les boulons de fixation appropriés sont fournis. Si vous utilisez les rouleaux guide-câble inclus, installez-les maintenant à la plaque de fixation. Vous devrez peut-être enlever un ou plusieurs rouleaux du guide pour y passer le câble métallique. Après cette étape, vous pouvez attacher le crochet de levage à chape. Consultez la Figure 8 pour connaître l'ordre et la direction des boulons.

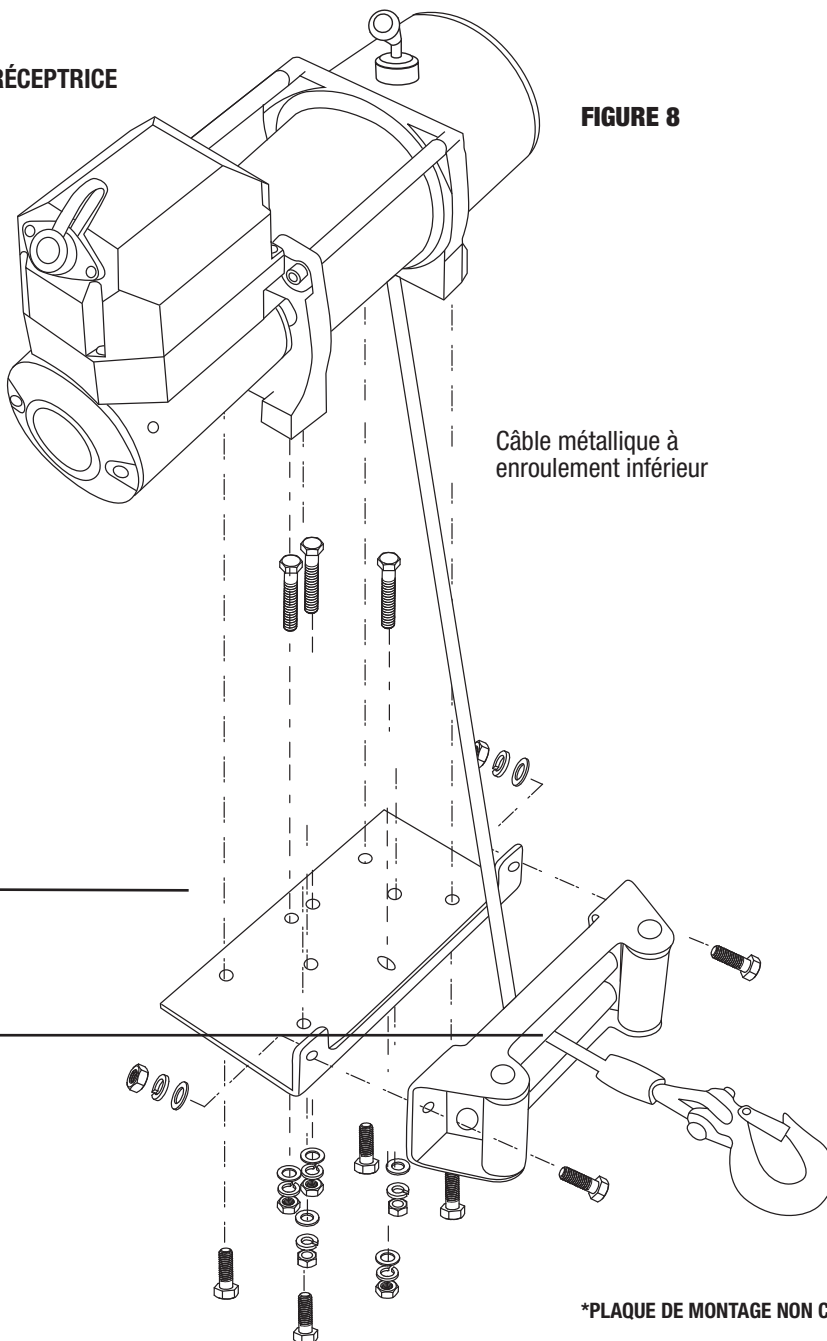


FIGURE 8

Câble métallique à enroulement inférieur

Plaque de fixation

Rouleau guide-câble à 4 directions

*PLAQUE DE MONTAGE NON COMPRISE

⚠ AVERTISSEMENT ⚠ UTILISEZ UNIQUEMENT DES BOULONS AVEC ÉCROUS, AYANT UN PAS DE 3/8 po - 16 UNC (UNIFIED NATIONAL COARSE) (À GROS FILET), DE QUALITÉ MINIMALE ISO 8.8.

⚠ AVERTISSEMENT ⚠

Les batteries contiennent des gaz inflammables et explosifs. **PORTEZ DES LUNETTES DE PROTECTION PENDANT L'INSTALLATION ET ENLEVEZ TOUS VOS BIJOUX OU ÉLÉMENTS MÉTALLIQUES.** Ne vous penchez pas au-dessus de la batterie pendant que vous effectuez les raccordements.

⚠ AVERTISSEMENT ⚠

Vérifiez que le faisceau de câbles n'interfère pas ou n'entre pas en contact avec des parties chaudes ou mobiles du moteur, de la suspension, de la direction, des freins ou de l'échappement.

LES SPÉCIFICATIONS MINIMALES ÉLECTRIQUES SONT UN ALTERNATEUR DE 60 AMPÈRES ET UNE CAPACITÉ BATTERIE DE 650 AMPÈRES DE DÉMARRAGE À FROID (CCA).

Étape 2 Suivez le schéma des circuits électriques (FIGURE 10). Boulonnez le disjoncteur au côté borne du fil de batterie rouge 2 GA qui est raccordé en usine au solénoïde en boîtier scellé. Raccordez ensuite le disjoncteur à la borne positive de la batterie.

Étape 3 Raccordez le fil de batterie noir 2 GA à la borne négative du moteur située au fond du moteur et raccordez également le fil de mise à la masse noir 14 GA sortant du boîtier de solénoïde à la même borne négative du moteur.

Étape 4 Raccordez l'autre extrémité borne du fil de batterie noir 2 GA à la borne négative de la batterie.

Étape 5 Enlevez le capuchon protecteur de la prise et branchez sur celle-ci le côté fiche de l'interrupteur de télécommande. Le côté fiche est échancré et s'adapte facilement dans la douille de la prise mais d'une seule façon. **NE FORCEZ PAS.**

Étape 6 Tournez la poignée de débrayage manuel jusqu'à la position de déclenchement (voir FIGURE 7). Tirez pour dérouler du tambour 1,60 m (5 pieds) de câble métallique. Remettez la poignée du débrayage à main jusqu'à la position d'embrayage. Activez le câble du treuil pour enrouler/dérouler alternativement en appuyant sur l'interrupteur de la télécommande afin de vérifier la direction de rotation du tambour. L'interrupteur est étiqueté « IN » pour enrouler et « OUT » pour dérouler. Quand on relâche l'interrupteur, ce dernier se place automatiquement sur la position d'arrêt (OFF). **SI CELA NE SE PRODUIT PAS, DÉBRANchez LA FICHE DE LA PRISE.** Si le tambour tourne dans la mauvaise direction, consultez la section Dépannage du présent manuel ou composez le 1-800-533-7372 pour obtenir l'aide du service après-vente.

Étape 7 Vous êtes désormais prêt à mettre le treuil en service. Exercez-vous en déroulant et en enroulant le câble en roue libre sans application de charge. Prévoyez à l'avance quelques essais pour observer et écouter. Détectez les sons d'une traction continue légère, d'une traction lourde et les sons causés par le mouvement saccadé ou le déplacement de la charge. Vous acquerez ainsi de l'expérience et de la confiance. **PORTEZ TOUJOURS DES LUNETTES DE SÉCURITÉ, DES GANTS DE CUIR ET UTILISEZ LA SANGLE DE TIRAGE MANUEL (FIGURE 3).**

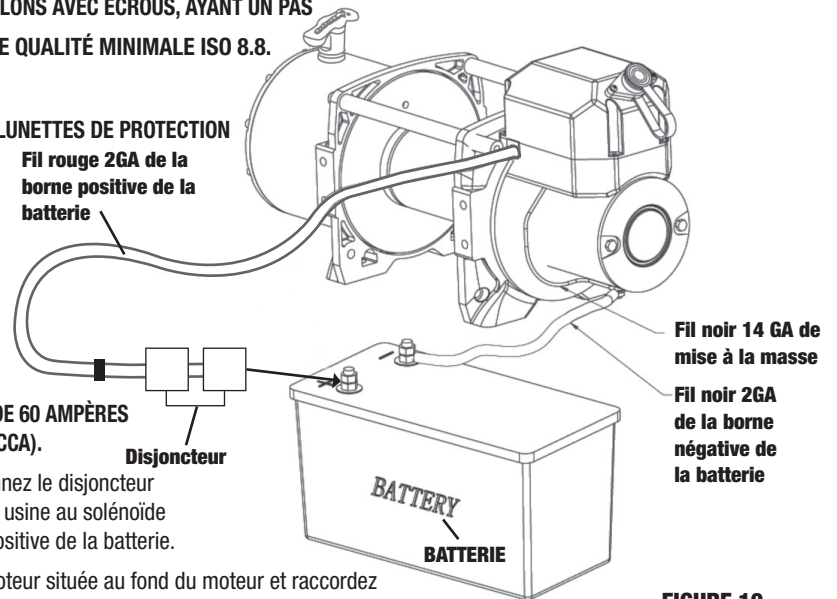


FIGURE 10

Comment prolonger la durée de service de votre treuil

- 1. LE CÂBLE MÉTALLIQUE DOIT TOUJOURS ÊTRE ENROULÉ SERRÉ AUTOUR DU TAMBOUR.** Maintenez toujours le câble métallique régulièrement enroulé et serré autour du tambour. Ne laissez pas le câble s'enrouler de façon lâche. Un tambour lâchement enroulé permet au câble sous charge de se déplacer sous les couches d'enroulement de câble sur le tambour. Quand ceci se produit, le câble peut demeurer bloqué au milieu des enroulements et s'endommager. Il est de bonne pratique d'enrouler le câble métallique sous tension après chaque usage. Appliquez une tension en utilisant la sangle de tirage manuel (FIGURE 3) et portez **TOUJOURS** des gants.
- 2. NE LAISSEZ PAS SURCHAUFFER LE MOTEUR DU TREUIL.** Maintenez la durée des tractions aussi courtes que possible. Si le moteur s'échauffe de telle façon qu'il devient inconfortable au toucher, arrêtez le treuil et laissez refroidir le moteur. **LAISSEZ TOURNER LE MOTEUR DU VÉHICULE POUR RECHARGER LA BATTERIE** pendant la pause de refroidissement.
- 3. UTILISEZ UN MOUFLE DE POULIE POUR LES CHARGES LOURDES.** Pour obtenir la durée de service maximale du treuil et du câble métallique, utilisez un moufle de poulie (non compris) pour doubler la ligne avec les charges lourdes. (Voir la FIGURE 2.) (Voir www.TRACKER winch.com relativement au modèle ayant le numéro de référence **KWA14550**.) Utilisez toujours un moufle de poulie ayant une capacité nominale double de la capacité du treuil.

⚠ ATTENTION ⚠ Si le moteur du treuil cale, cessez d'appliquer l'énergie électrique.

- 4.** La force de traction requise pour mettre une charge en mouvement est souvent beaucoup plus élevée que la force nécessaire pour maintenir la charge en mouvement. **ÉVITEZ LES À-COUPS FRÉQUENTS PENDANT LA TRACTION.**
- 5. EMPÊCHEZ LE CÂBLE MÉTALLIQUE DE SE VRILLER AVANT QUE CELA NE SE PRODUISE. (FIGURE 11)**
 - a. Cette situation indique le début d'une vrille. Il faut redresser le câble.
 - b. Le câble a été tiré et la boucle s'est resserrée pour former une vrille. Le câble est endommagé de façon permanente et **DOIT** être remplacé.
 - c. La conséquence d'une vrille consiste en ce que chaque brin du câble tire avec une force différente et les brins sous tension la plus élevée se rompent et réduisent la capacité de charge du câble. Le câble **DOIT** être remplacé. Utilisez uniquement le produit de remplacement original Keeper ayant pour numéro de référence **KWPR1002164**. Adressez-vous à keeperwinches@hamptonproducts.com pour commander

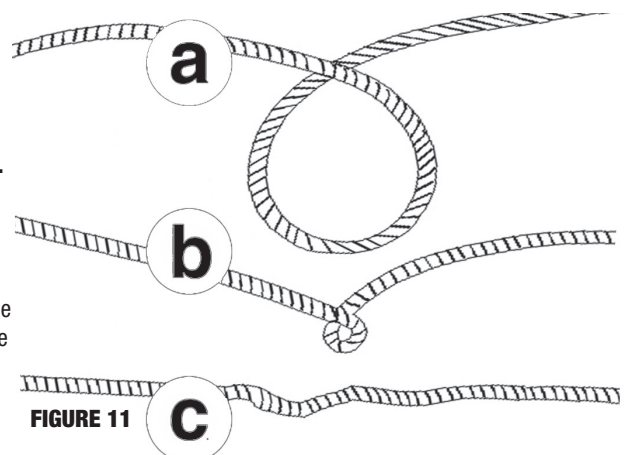


FIGURE 11

REEMPLACEMENT DU CÂBLE MÉTALLIQUE

⚠ AVERTISSEMENT ⚠

Ne jamais remplacer le câble en lui substituant un câble plus lourd ou plus léger. N'utilisez jamais de câble fabriqué en d'autres matériaux que l'acier. N'utilisez que du câble en acier galvanisé, de 25,91 m de long x 9,5 mm de diamètre (85 pieds X 3/8 po). (pièce de rechange numéro **KWPR1002164**). Fixez le câble métallique au tambour en utilisant les vis fournies **FIGURE 12**.

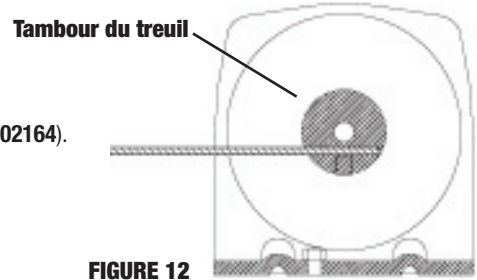


FIGURE 12

Entretien et réparation

⚠ AVERTISSEMENT ⚠

Avant chaque usage, vérifiez si les boulons de montage sont bien serrés, inspectez le câble et l'ensemble de télécommande pour détecter tout dommage éventuel. Nettoyez périodiquement le carter du treuil avec une serviette sèche pour éliminer la saleté et les débris.

Graissage : La boîte d'engrenages est graissée de façon permanente. N'essayez pas de démonter la boîte d'engrenage sous peine d'annuler la garantie.

Dépannage

Si un problème survient, appelez le service après-vente de Keeper Winch en composant le 1-800-533-7372 ou envoyez un message à keeperwinches@hamptonproducts.com.

Symptômes	Causes possibles	Solutions proposées
Le moteur ne fonctionne pas ou ne tourne que dans un seul sens	<ol style="list-style-type: none"> 1. Câbles rompus ou mauvais raccordement à la batterie 2. Interrupteur défaillant 3. Treuil endommagé 4. Solénoïde endommagé 5. Défaut de fonctionnement du disjoncteur 	<ol style="list-style-type: none"> 1. Inspectez pour détecter les raccordements défectueux et vérifier si tous les câblages sont serrés et propres 2. Vérifiez que les fils de l'interrupteur sont correctement raccordés au solénoïde 3. Remplacez ou réparez 4. Remplacez le solénoïde 5. Remplacez le disjoncteur
Le moteur tourne et devient extrêmement chaud	<ol style="list-style-type: none"> 1. Longue durée de fonctionnement 2. Dommage survenu pendant le fonctionnement 	<ol style="list-style-type: none"> 1. Laissez refroidir 2. Remplacez or réparez
Le moteur tourne mais avec une puissance ou une force de traction en ligne insuffisante	<ol style="list-style-type: none"> 1. Batterie faible/basse 2. Faisceau de câble trop long entre la batterie et le treuil 3. Raccordement défectueux à la batterie 4. Mise à la masse inadéquate 5. Moteur endommagé 	<ol style="list-style-type: none"> 1. Rechargez ou remplacez la batterie. Vérifiez le système de recharge. 2. Utilisez uniquement les fils/câbles fournis. S'il est nécessaire d'allonger un câble, réduisez son calibre à 2 ou 3 AWG. 3. Vérifiez si les bornes de la batterie sont corrodées. Nettoyez-les selon les besoins. 4. Vérifiez et nettoyez les connexions 5. Remplacez ou réparez
Le moteur tourne mais pas le tambour	La manette de débrayage n'est pas enclenchée	Enclenchez le débrayage
Le treuil tourne à l'envers	<ol style="list-style-type: none"> 1. Les fils de la batterie sont inversés 2. Les fils de l'interrupteur sont inversés 3. L'interrupteur n'est pas correctement installé 	<ol style="list-style-type: none"> 1. Vérifiez de nouveau le câblage 2. Vérifiez de nouveau le câblage 3. Vérifiez l'installation de l'interrupteur

Pour obtenir des pièces de rechange, veuillez vous adresser au Service après-vente de **KEEPER®** Winch en composant le 1-800-533-7372 ou en envoyant un message électronique à keeperwinches@hamptonproducts.com

GARANTIE À VIE LIMITÉE : Hampton Products International Corporation garantit ce produit conformément aux dispositions ci-dessous : Les composants mécaniques sont garantis pendant la durée de service du treuil comme étant dépourvus de vices de fabrication et de main d'œuvre. Les composants électriques sont garantis pendant un (1) an comme étant dépourvus de vices de fabrication et de main d'œuvre. Si de tels vices se manifestent, composez le 1-800-533-7372 pour obtenir les instructions permettant de faire réparer ou de remplacer le produit. La garantie est accordée à l'acheteur/consommateur d'origine du produit à compter de la date d'achat du produit. Les produits défectueux retournés deviennent la propriété du fabricant. **Limites de la garantie** : les limites suivantes s'appliquent à la garantie : (a) La garantie s'applique exclusivement aux produits défectueux du fait d'un vice de fabrication ou de main d'œuvre. Cette garantie ne couvre pas l'usure et les dégradations normales. La garantie ne couvre pas les frais d'entretien, de réparation ou de main d'œuvre encourus pour l'enlèvement ou le remplacement d'un produit quelconque. (b) La garantie ne couvre ni le fini du treuil ni le câble métallique. Par conséquent, le fabricant ne remplacera ni ne réparera ou rénovera le fini d'un produit usé de manière quelconque. (c) La garantie ne s'étend pas aux produits endommagés ou rendus défectueux par suite d'abus, de négligence ou d'abus d'usage quelconque, ni aux produits endommagés par suite d'un accident quelconque, ou d'une mauvaise application, de surcharge, de mauvaise installation, ni aux produits altérés de façon quelconque par quiconque autre que le fabricant, ses agents ou ses représentants. Obligations de l'acheteur/consommateur. Pour obtenir la mise en jeu de la garantie, l'acheteur/consommateur doit retourner le ou les produits défectueux, port payé d'avance, avec la preuve d'achat comprise dans le délai de garantie compté à partir de la date d'achat, à Hampton Products ou à un centre de réparation agréé.

Droits légaux et limites imposées à l'acheteur/consommateur.
CETTE GARANTIE VOUS CONFÈRE DES DROITS LÉGAUX SPÉCIFIQUES ET IL EST POSSIBLE QUE VOUS DISPOSIEZ D'AUTRES DROITS VARIANT D'UN ÉTAT OU D'UNE PROVINCE À L'AUTRE. TOUTE GARANTIE IMPLICITE DE VALEUR MARCHANDE OU D'ADAPTATION À UN BUT OU À UN USAGE PARTICULIER D'UN PRODUIT QUELCONQUE SERA LIMITÉE AUX TERMES DE LA GARANTIE À COMPTER DE LA DATE D'ACHAT AU DÉTAIL PAR L'ACHETEUR D'ORIGINE. CERTAINS ÉTATS OU PROVINCES NE PERMETTENT PAS LES LIMITATIONS.

©2013 Hampton Products International Corp.
 322 Main St.
 Willimantic, CT 06226
 800-533-7372
www.keeperwinches.com or keeperwinches@hamptonproducts.com
 999-01000_KV10022_REVA 11/13

CE PRODUIT N'EST PAS DESTINÉ AUX OPÉRATIONS DE LEVAGE/GRUTAGE

KV10.5 CABRESTANTE ELÉCTRICO DE 12 V CC

Diseñado para la recuperación de automóviles, remolques de vehículos y aplicaciones generales del cabrestante.
ESTE PRODUCTO NO ESTÁ DISEÑADO PARA LEVANTAR/ELEVAR

Instrucciones de ensamblado y de funcionamiento

⚠ PRECAUCIÓN ⚠ ;SÍRVASE LEER TODAS LAS PRECAUCIONES Y ADVERTENCIAS ANTES DE INSTALAR Y USAR EL CABRESTANTE! SI TIENE ALGUNA PREGUNTA SÍRVASE CONTACTAR A NUESTRO DEPARTAMENTO DE SERVICIO AL CLIENTE INDICADO MÁS ABAJO.

Introducción

Gracias por comprar su cabrestante KEEPER®.

SÍRVASE LEER TODAS LAS INSTRUCCIONES; PONGA ATENCIÓN ESPECIAL A LAS INSTRUCCIONES DE SEGURIDAD.

Su Cabrestante KEEPER® ha sido diseñado y manufacturado para proporcionarle años de funcionamiento sin problemas.

Si por cualquier razón usted no queda satisfecho, sírvase contactar a Servicios al Cliente al teléfono 800-533-7372, o visitar nuestro sitio Web: www.Trakkerwinch.com o contactar a ventas en keeperwinches@hamptonproducts.com. Al solicitar información con respecto a este cabrestante, sírvase dar la siguiente información: Cabrestante Pieza No. _____ y Número de Serie _____. (Sírvase escribir aquí esta información para referencia futura) (Se encuentra en la Carcasa del Motor).

Sírvase leer y entender este Manual del Propietario antes de instalar y poner en funcionamiento este producto. **PONGA ATENCIÓN ESPECIAL A LA INFORMACIÓN GENERAL DE SEGURIDAD.** Su Cabrestante es una máquina potente. Si se utiliza de manera no segura o no correcta, existe la posibilidad de que ocurran daños a bienes y/o lesiones personales. Su seguridad depende ultimadamente de su precaución al utilizar este producto.

Descripción General

Este Cabrestante KEEPER® está equipado con un motor CC de 12 Volts devanado en serie y está diseñado para **USO DE SERVICIO GENERAL INTERMITENTE**. Este cabrestante eléctrico es similar a la mayoría de las herramientas accionadas por motor eléctrico y no debe permitirse que se caliente demasiado. Detenga el cabrestante si el motor empieza a esforzarse o si el extremo del motor se siente muy caliente al tocarlo. Detenga el funcionamiento del cabrestante y permita que el motor se enfríe. Los requisitos mínimos son un alternador de 60 amperes y un acumulador con capacidad de 650 CCA (corriente de arranque en frío). Este Cabrestante **(FIGURA 1)** no está diseñado para usarse en aplicaciones de elevación/levantamiento y el fabricante no lo garantiza apto para tales usos. El embrague de carrete libre desembraga la caja de engranajes para permitir que el cable de acero pueda ser jalado hacia fuera del cabrestante sin utilizar alimentación eléctrica. Un Interruptor Remoto con un cable eléctrico de 4.57 metros (15 pies) de largo permite una amplia variedad de opciones de montaje. El Conjunto de Cable de Acero se extiende 25.91 metros (85 pies) y tiene un diámetro de 9.53 mm (3/8"). La longitud utilizable del cable es de 24.38 metros (80 pies). La longitud del cableado de alimentación eléctrica al acumulador es de 1.83 metros (6 pies).



FIGURA 1

*NO INCLUYE LA PLACA DE MONTAJE

Rendimiento

ESPECIFICACIONES DEL KV 10.5

Número de Pieza:	KW10022
Tracción nominal del cable:	10,500 lbs., 4,763 kg.
Motor – devanado en serie:	5.5 CV 12 V CC
Mando:	Control remoto de mano con cable eléctrico de 4.57 metros (15 pies) de largo que incluye
Conmutador:	Conjunto de solenoide sellado de ciclo de alto servicio
Tren de engranes:	Conjunto de engranajes planetarios de tres etapas de alto rendimiento
Reducción de engranes:	265:1
Embrague (carrete libre):	Engrane de corona deslizante
Freno:	Mecánico; activado por leva automática
Cable de acero:	26 m (85 pies) de cable de acero de 9.5 mm (3/8") de diámetro con ojo de bucle, gancho de horquilla con seguro y Área Roja de Advertencia.
Diámetro del tambor/longitud:	Diámetro – 63.5 mm (2.5") / Longitud 224 mm (8.8")
Guías:	Rodillos de cuatro vías
Cable eléctrico a acumulador:	Calibre 2, de 1.83 m (72") de largo
Acumulador:	Mínimo 650 CCA (corriente de arranque en frío)
Uso:	Recuperación de carga utilitaria general/remolque, camión, tractor, equipo
Acabado:	Pintura en polvo gris de alto brillo sobre una mano interior
Peso:	43.6 kg / 96 lb

ESTE PRODUCTO NO ESTÁ DISEÑADO PARA LEVANTAR/ELEVAR

RENDIMIENTO DE 12 V

Tracción del cable en lb (kg)	Velocidad del cable en pies/min (m/min)	Consumo de corriente del motor
0	28.3 (8.6)	80
2,000 (907)	16.6 (5.1)	160
4,000 (1,814)	12.2 (3.7)	220
6,000 (2,722)	9.8 (3.0)	260
8,000 (3,629)	8.1 (2.5)	310
9,500 (4,310)	4.2 (1.3)	360

Capacidades de carga rodante (1ra capa)

PENDIENTE*	10% (4.5°)	20% (9°)	40% (18°)	60% (27°)	100% (45°)
Lb	52,763	35,711	22,628	17,472	13,545
Kg	23,933	16,198	10,264	7,925	6,144

*PENDIENTE: Una elevación de 30 cm (un (1) pie) a lo largo de 3.05 m (10 pies) de longitud es igual a una PENDIENTE de 10%. Una pendiente de 10% es igual a un ángulo de inclinación de 9.5°. Por ello, una pendiente de 100% es igual a un ángulo de inclinación de 45°.

Información General de Seguridad

ADVERTENCIA Su Cabrestante KEEPER® es una máquina potente. Si se utiliza de manera no segura o no correcta, puede dar por resultado en lesiones personales y/o daños a bienes.

1. **LEA Y ENTIENDA ESTE MANUAL ANTES DE HACER FUNCIONAR SU CABRESTANTE.** Después de instalar el Cabrestante, practique cómo usarlo antes de que se presente la necesidad de usarlo. **NUNCA PERMITA QUE PERSONAS NO FAMILIARIZADAS CON ESTE PRODUCTO LO HAGAN FUNCIONAR.**

UTILICE SIEMPRE GAFAS DE SEGURIDAD AL TRABAJAR CON MAQUINARIA.

2. **NO EXCEDA LA CAPACIDAD NOMINAL DEL CABRESTANTE. ¡NO LO SOBRECARGUE! ¡NO INTENTE JALAR CARGAS PESADAS POR LARGO TIEMPO!** Las sobrecargas pueden dañar al Cabrestante y/o el cable de acero y crear condiciones de funcionamiento inseguras. **PARA CARGAS SUPERIORES AL 75% DE LA CAPACIDAD NOMINAL DEL CABRESTANTE, RECOMENDAMOS EL USO DE UN MOTÓN O CUADERNAL (no incluido) PARA DUPLICAR LA LÍNEA DEL CABLE DE ACERO.** (FIGURA 2). Esto reduce la carga sobre el Cabrestante, el esfuerzo sobre el cable de acero y el sistema eléctrico.

3. **EL MOTOR DEL VEHÍCULO DEBE ESTAR ENCENDIDO DURANTE EL FUNCIONAMIENTO DEL CABRESTANTE.** Si se utiliza el cabrestante para jalar con el motor apagado, el acumulador puede ser demasiado débil para poder encender el motor.

4. **NO opere su vehículo para ayudar al Cabrestante a jalar la carga.** La combinación del Cabrestante y el vehículo jalando a la misma vez puede sobrecargar el cable de acero y el Cabrestante.

5. **CUANDO SE ENCUENTREN EN USO, MANTÉNGASE ALEJADO DEL CABLE DE ACERO, DEL GANCHO Y DEL CABRESTANTE.**

6. **INSPECCIONE EL CABLE DE ACERO Y EL EQUIPO DE MANERA FRECUENTE. UN CABLE DE ACERO DESGASTADO, DOBLADO O APLANADO REQUIERE SER REEMPLAZADO INMEDIATAMENTE.** Revise periódicamente la instalación del Cabrestante para asegurar que todos los pernos están ajustados.

7. **USE GANTES GRUESOS DE CUERO** al manejar el cable de acero. **NO PERMITA QUE EL CABLE DE ACERO SE DESLICE POR ENTRE SUS MANOS ENGUANTADAS O DESNUDAS. USE SIEMPRE LA CORREA PROTECTORA DE LAS MANOS** al guiar el cable de acero hacia fuera o hacia dentro. (FIGURA 3)

8. **NUNCA UTILICE EL CABRESTANTE CON MENOS DE CINCO (5) VUELTAS DE CABLE DE ACERO ALREDEDOR DEL TAMBOR DEL CABRESTANTE,** ya que el extremo del cable de acero puede **NO** aguantar la carga completa.

9. **MANTÉNGASE ALEJADO DEL CABRESTANTE, EL CABLE DE ACERO TENSO Y DEL GANCHO EN USO AL HACER FUNCIONAR EL CABRESTANTE. NUNCA PASE POR ENCIMA DEL CABLE DE ACERO TENSO.**

11. Se recomienda de sobremanera colocar una manta pesada (por ejemplo, una manta/cobija o lona) sobre el cable de acero al jalar cargas pesadas (FIGURE 5). Si ocurre una falla en el cable de acero, la manta actuará como amortiguador y ayudará a prevenir que el cable de acero latiguee. Si el cabrestante se encuentra montado en el frente del vehículo, levante el cofre para obtener una mayor protección.

FIGURA 2

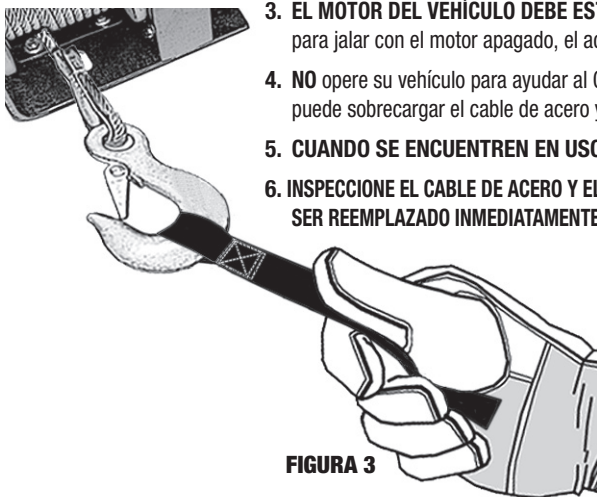
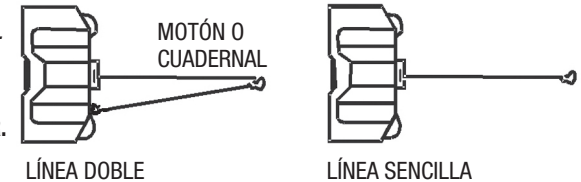


FIGURA 3

10. **NUNCA ENGANCHE EL CABLE DE ACERO EN DICHO CABLE.** Esto dañará al cable de acero. Utilice una eslinga de cabrestante, un protector de árbol u otro accesorio recomendado para este tipo de conexión. (FIGURA 4)

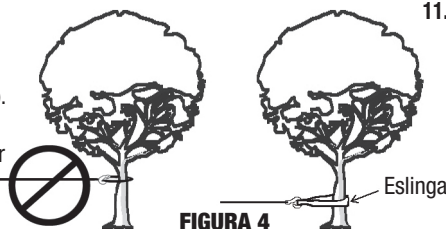


FIGURA 4



FIGURA 5

ESTE PRODUCTO NO ESTÁ DISEÑADO PARA LEVANTAR/ELEVAR

12. ¡NUNCA UTILICE SU CABRESTANTE PARA ELEVAR O MOVER A PERSONAS!

13. SU CABRESTANTE NO ESTÁ DISEÑADO PARA OPERACIONES DE LEVANTAR POR ARRIBA.

14. EVITE JALAR CONTINUAMENTE EN ÁNGULOS EXTREMOS.

Esto causará que el cable de acero se apile en un extremo del tambor (FIGURA 6).

Esto puede atascar el cable de acero en el Cabrestante, lo cual daña al cable de acero o al Cabrestante.

15. NUNCA OSCUREZCA LAS ETIQUETAS DE INSTRUCCIÓN DE ADVERTENCIAS EN EL CABRESTANTE.

16. Opere siempre el Cabrestante sin obstrucciones para ver la operación de arrastre del Cabrestante.

17. Los equipos tales como los ganchos, motones o cuadernales, correas, etc., deben ser dimensionados a la capacidad del cabrestante e inspeccionados periódica mente para ver si tienen daños que reduzcan su robustez.

18. NUNCA SUELTE EL EMBRAGUE DE CARRETE LIBRE CUANDO SE TIENE UNA CARGA EN EL CABRESTANTE.

19. NUNCA TRABAJE SOBRE O ALREDEDOR DEL TAMBOR DEL CABRESTANTE CUANDO EL CABRESTANTE ARRASTRA UNA CARGA.

20. NO HAGA FUNCIONAR EL CABRESTANTE AL ESTAR BAJOS LOS EFECTOS DE CUALQUIER DROGA O ALCOHOL.

21. DESCONECTE SIEMPRE LOS CABLES DE ALIMENTACIÓN DEL CABRESTANTE ANTES DE TRABAJAR SOBRE O ALREDEDOR DEL TAMBOR DEL CABRESTANTE para que el Cabrestante no empiece a funcionar accidentalmente.

22. Al mover una carga, tense lentamente el cable de acero hasta que quede perfectamente tenso. Detenga la maniobra, vuelva a revisar todas las conexiones del Cabrestante. Asegúrese que el gancho está asentado correctamente. Si se utiliza una eslinga de nylon, revise el punto de fijación a la carga.

23. Al utilizar un Cabrestante montado en un vehículo para mover una carga, coloque la transmisión del vehículo en neutral (nunca en Park), accione el freno de mano del vehículo, y ponga bloques o tacos en todas las ruedas.

24. NO UTILICE EL CABRESTANTE PARA MANTENER UNA CARGA EN UN SOLO LUGAR. Utilice otros medios de afianzar las cargas tales como correas de amarre marca KEEPER®. Para obtener información sobre correas de amarre acceda al sitio Web www.keepercorp.com.

25. UTILICE ÚNICAMENTE INTERRUPTORES, CONTROLES REMOTOS Y ACCESORIOS APROBADOS POR LA FÁBRICA. El uso de componentes no aprobados por la fábrica pueden causar lesiones o daños a bienes y pueden anular su garantía.

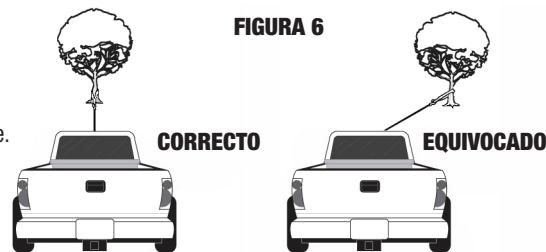
26. NO LABRAR O FRESAR O SOLDAR NINGUNA PIEZA DEL CABRESTANTE. Tal alteración puede debilitar la integridad estructural del Cabrestante y puede anular su garantía.

27. Este es un Cabrestante de 12 Volts CC. CONÉCTELO ÚNICAMENTE A UN ACUMULADOR DE 12 VOLTS CC. NO CONECTE EL CABRESTANTE YA SEA UNA CORRIENTE DE 110 V O DE 220 V YA QUE SE QUEMARÁ EL CABRESTANTE O PUEDE HABER UNA DESCARGA ELÉCTRICA MORTAL. Esto anulará la garantía.

28. Nunca permita aplicar cargas de golpe al Cabrestante o al cable de acero.

29. Use extremas precauciones al arrastrar una carga hacia arriba o hacia abajo por una rampa o pendiente.

30. Mantenga a toda persona, mascotas y bienes con excepción del operador, fuera del camino y del frente, parte posterior y lados de la operación de arrastre con el Cabrestante hasta una distancia de 30.48 metros (100 pies).



Funcionamiento del carrete libre

Gire la manija del embrague hacia la posición de desembrague tal como se muestra en la calcomanía (FIGURA 7). NUNCA SUELTE EL EMBRAGUE DE CARRETE LIBRE CUANDO SE TIENE UNA CARGA EN EL CABRESTANTE. NO FUERCE LA MANIJA.

Suelte la tensión en el embrague accionando el cabrestante para soltar algo del cable de acero. Desengrane el embrague y jale el cable de acero y fíjelo a un punto de anclaje o a una carga. Verifique que hay cuando menos cinco (5) vueltas de cable de acero en el tambor.

Coloque la manija del embrague otra vez en la posición de embrague para embragar el tambor (FIGURA 7)

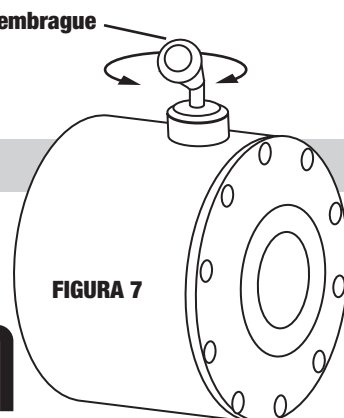


PRECAUCIÓN El embrague debe estar completamente engranado

antes de iniciar la operación de arrastre con el Cabrestante. NUNCA ENGRANE LA MANIJA DEL EMBRAGUE MIENTRAS GIRA EL TAMBOR.

EMBRAGAR

DESEMBRAGAR



Instalación del cabrestante

Para obtener un funcionamiento correcto se requiere la instalación correcta de su Cabrestante. La instalación debe ser sobre una superficie plana y siguiendo el patrón de pernos que se muestra en la FIGURA 9.

Se dispone de una placa de montaje (número de pieza **KWA14622**)

Llame al teléfono 800-533-7372 o acceda al sitio Web: www.keeperwinches.com.

Junto con la placa de montaje se proporcionan instrucciones detalladas de montaje. Lea y siga cuidadosamente las instrucciones para asegurar una alineación correcta del Cabrestante y un funcionamiento sin problemas.

Este Cabrestante debe montarse con el cable de acero enrollado para salir por la parte inferior del tambor (FIGURA 8).

SE DEBE utilizar únicamente Cable de Acero genuino de Keeper Winch.

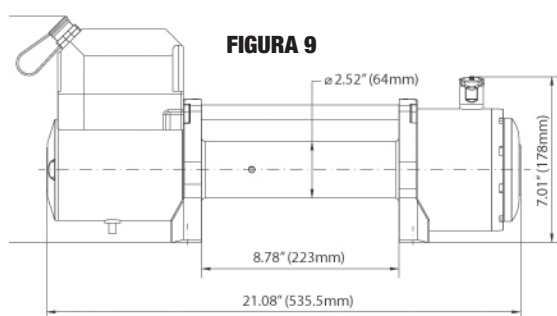
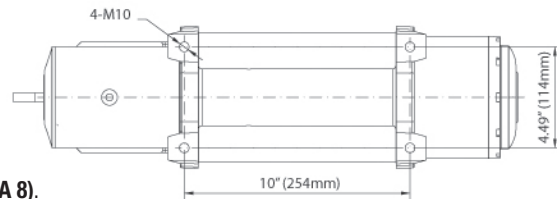
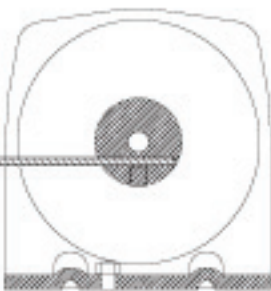


ADVERTENCIA

El montaje incorrecto puede dañar su Cabrestante y anular su garantía.

Paso 1 Monte el Cabrestante a la placa de la base del conjunto de montaje o a la montura que usted haya diseñado. La montura debe ser una superficie plana capaz de soportar las cargas del cabrestante. Se proporcionan los pernos de montaje correctos. Si utiliza las Guías de Rodillo incluidas, instale ahora en la placa de montaje. Usted deberá separar el gancho de horquilla para que el cable de acero pase por los rodillos.

FIGURA 8



ESTE PRODUCTO NO ESTÁ DISEÑADO PARA LEVANTAR/ELEVAR

Instalación del cabrestante

Se requiere instalar correctamente su cabrestante para que funcione apropiadamente. La instalación deberá ser en una superficie plana siguiendo el patrón de pernos que se muestra en la FIGURA 1.

Lea y siga las instrucciones cuidadosamente para asegurarse de la alineación adecuada del cabrestante y su operación sin problemas. El cabrestante DEBE estar montado con el cable de acero en dirección de enrollado inferior (FIGURA 8). DEBE usar solamente la pieza de reemplazo genuina del cabrestante Keeper, cable de acero número de parte KWA14520.

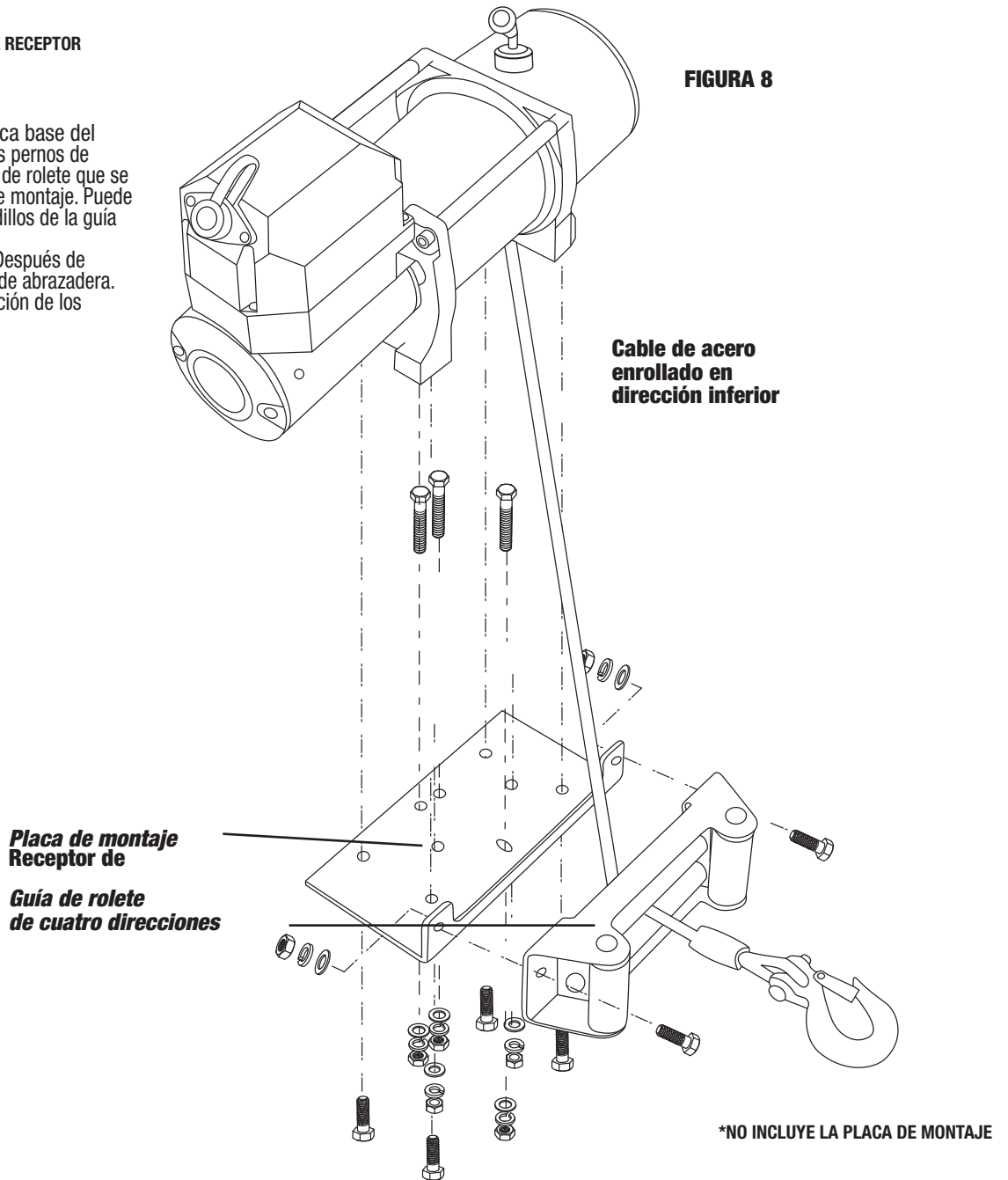
! ADVERTENCIA !

El montaje inapropiado podría dañar su cabrestante e invalidar su garantía.

! ADVERTENCIA !

NO EXCEDA LA CALIFICACIÓN DE SU ENGANCHE RECEPTOR

Paso 1 Monte el cabrestante sobre la placa base del kit de montaje; se proporcionan los pernos de montaje adecuados. Si usará la Guía de rolete que se incluye, instálela ahora en la placa de montaje. Puede necesitar quitar uno o más de los rodillos de la guía de rolete para hacer pasar el cable de acero. Después de hacerlo, puede ahora fijar el gancho de abrazadera. Vea en la (Figura 8) el orden y dirección de los pernos.



⚠️ ADVERTENCIA ⚠️

UTILICE ÚNICAMENTE PERNOS Y TUERCAS TIPO UNC DE 3/8"-16 CON GRADO ISO MÍNIMO DE 8.8.

⚠️ ADVERTENCIA ⚠️

Los acumuladores contienen gases que son inflamables y explosivos. **UTILICE PROTECCIÓN DE LOS OJOS DURANTE LA INSTALACIÓN Y QÍTESE TODA LA JOYERÍA DE METAL.** No se recargue sobre el acumulador al hacer las conexiones.

⚠️ ADVERTENCIA ⚠️

Asegúrese que el arnés de cableado no interfiere o hace contacto con cualquier pieza caliente o en movimiento del motor, suspensión, dirección, frenos o escape.

LOS REQUISITOS MÍNIMOS ELÉCTRICOS SON ALTERNADOR DE 60 AMPERES Y ACUMULADOR CON CAPACIDAD DE 650 CCA (CORRIENTE DE ARRANQUE EN FRÍO).

Paso 2 Siga el diagrama de conexión eléctrica (FIGURA 10). Atornille el disyuntor de circuito al extremo del terminal del conductor Rojo de Calibre dos (2) del acumulador que viene conectado desde la fábrica al conjunto de conmutación de solenoide sellado. Ahora conecte el disyuntor de circuito al terminal positivo del acumulador.

Paso 3 Conecte el conductor Negro de Calibre dos (2) del acumulador al terminal positivo del motor (del Cabrestante) situado en la parte inferior del motor y también conecte el conductor Negro de Calibre 14 de conexión a tierra al mismo terminal negativo del motor.

Paso 4 Conecte el otro extremo de terminal del conductor Negro de Calibre dos (2) del acumulador al terminal negativo del acumulador.

Paso 5 Quite la cubierta contra el polvo en el receptáculo de enchufe e inserte el extremo de enchufe del conmutador de mano. El extremo de enchufe está enchavetado y sólo se adaptará de una sola manera en el enchufe hembra. **NO LO FUERCE.**

Paso 6 Gire la manija del embrague de carrete libre a la posición de Desembragar (vea la FIGURA 7). Jale 1.50 metros (5 pies) de cable de acero del tambor. Vuelva a colocar la manija del embrague de carrete libre otra vez en la posición de Embragar. Presione momentáneamente el conmutador de mano para accionar el cable de acero del Cabrestante y verificar la dirección de rotación del tambor. El conmutador está marcado con la etiqueta de "IN" para que entre el cable de acero en el tambor, y con la etiqueta de "OUT" para que salga el cable de acero del tambor. Al soltar el conmutador, éste automáticamente pasará a la posición de apagado. **SI ESTO NO OCURRE ENTONCES SAQUE EL ENCHUFE DEL RECEPTÁCULO.** Si el tambor gira en la dirección equivocada, entonces pase a la sección de localización de averías en este manual o solicite ayuda al llamar al teléfono 800-533-7372.

Paso 7 Ya esta usted preparado para accionar el cabrestante. Practique las operaciones de arrastre con el cabrestante: saque el cable del tambor con el carrete libre para luego enrollarlo sin carga. Planifique previamente algunas pruebas y aprenda a observar y escuchar. Reconozca el sonido de un arrastre ligero y constante y el de un arrastre pesado y los ruidos causados por arrastres súbitos o por cambios en el arrastre. Así sentirá usted mayor confianza. **UTILICE SIEMPRE GAFAS DE SEGURIDAD, GUANTES DE CUERO Y USE LA CORREA PROTECTORA DE LA MANO (Figura 3).**

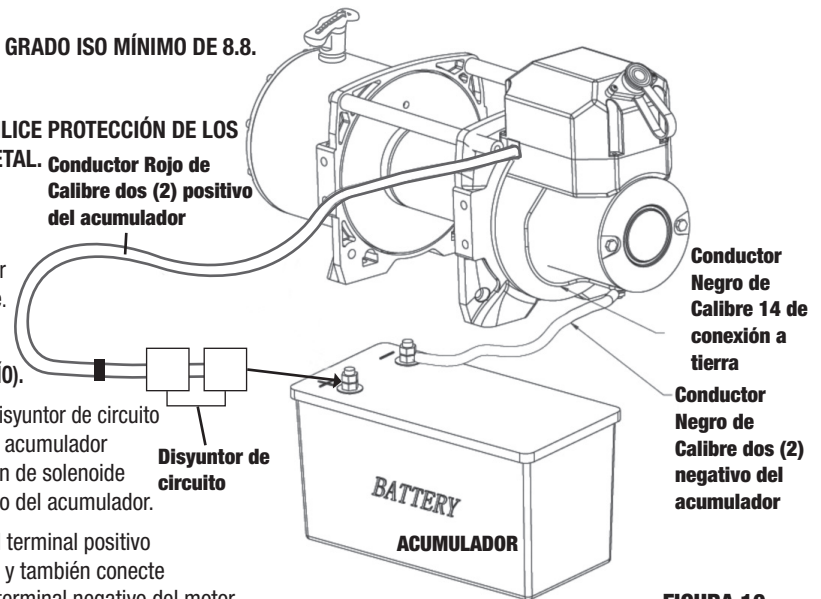


FIGURA 10

Como extender la vida de servicio de su Cabrestante

- 1. MANTENGA EL CABLE DE ACERO FIRMEAMENTE ENROLLADO EN EL TAMBOR.** Mantenga el cable de acero firmemente enrollado y distribuido de manera equitativa en el tambor en todo momento. No permita que el cable de acero se enrolle flojamente. Un tambor con cable de acero enrollado flojamente permite que un cable de acero con carga se entierre entre las capas del cable en el tambor. Cuando esto ocurre, el cable de acero puede quedar enclavado dentro de los devanados lo cual puede dañar el cable de acero. Una buena práctica es de volver a enrollar el cable de acero bajo tensión después de cada uso. Aplique tensión con la correa protectora de las manos (FIGURA 3) y **SIEMPRE** use guantes.
- 2. NO PERMITA QUE EL MOTOR DEL CABRESTANTE SE SOBRECALIENTE.** Mantenga la duración de los arrastres lo más corta posible. Si el motor se calienta demasiado que no se puede tocar, deje de usar el cabrestante y permita que se enfríe el motor. **MANTENGA ENCENDIDO EL MOTOR DEL VEHÍCULO PARA RECARGAR EL ACUMULADOR** durante el periodo de enfriamiento.
- 3. USE UN MOTÓN O CUADERNAL PARA ARRASTRAR CARGAS PESADAS.** Para maximizar la vida de servicio del Cabrestante y del cable de acero, use un motón o cuadernal (no incluido) para duplicar la línea de arrastre de las cargas más pesadas (vea la FIGURA 2). (Vea el número de pieza **KWA14550** en www.TRACKERwinch.com). Use siempre un motón o cuadernal cuya capacidad sea el doble de la capacidad del cabrestante.

⚠️ PRECAUCIÓN ⚠️

Si el motor del cabrestante se atora o atasca, no continúe aplicando alimentación eléctrica.

- 4.** El arrastre requerido para iniciar el movimiento de una carga es a menudo mucho mayor que el arrastre requerido para mantener la carga en movimiento. **EVITE LAS PARADAS Y ARRANQUES FRECUENTES DURANTE EL ARRASTRE.**
- 5. EVITE LOS PLIEGUES EN EL CABLE DE ACERO ANTES DE QUE OCURRAN. (FIGURA 11)**
 - a.** Este es el inicio de un pliegue. Se debe enderezar el cable de acero.
 - b.** Se jaló el cable de acero y el bucle se apretó hasta formar un pliegue. El cable de acero ahora está dañado permanentemente y **DEBE** ser reemplazado.
 - c.** El resultado de un pliegue es que cada hilo jala de manera diferente lo cual causa que los hilos bajo mayor tensión se rompan y reduzcan la capacidad de carga del cable de acero. El cable de acero **DEBE** ser reemplazado. Use únicamente un cable de acero de reemplazo genuino de Keeper Winch con número de pieza **KWPR1002164**.

Contact a ventas en keeperwinches@hamptonproducts.com para ordenarlo.

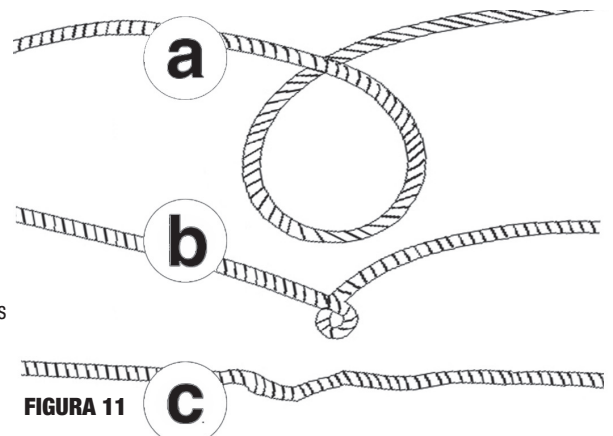


FIGURA 11

ESTE PRODUCTO NO ESTÁ DISEÑADO PARA LEVANTAR/ELEVAR

CÓMO REEMPLAZAR EL CABLE DE ACERO

⚠️ ADVERTENCIA ⚠️

Nunca sustituya con un cable de acero más pesado o más liviano. Nunca use cables hechos de otros materiales que no sea acero. Use únicamente Cable de Acero Galvanizado de 25.91 m x 9.5 mm (85' x 3/8") (pieza de reemplazo **KWPR1002164**). Fije el cable de acero al tambor mediante el uso del tornillo provisto **FIGURA 12**.

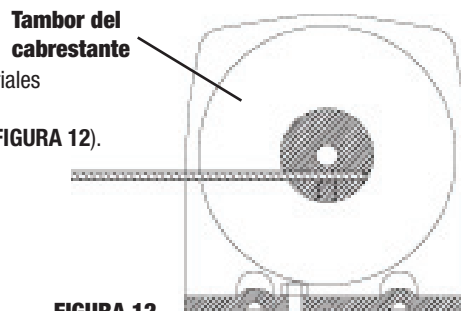


FIGURA 12

Mantenimiento y reparación

⚠️ ADVERTENCIA ⚠️

Antes de cada uso, revise los pernos de montaje para verificar que están firmemente apretados e inspeccione el cable para verificar si está dañado. Inspeccione el conjunto de control remoto para ver si está dañado. De manera periódica use una toalla limpia y seca para quitar la suciedad y basura de la carcasa del cabrestante. **Lubricación:** La caja de engranajes está lubricada permanentemente. No intente desarmar la caja de engranajes. Esto anula su garantía.

Localización de averías

Si se presenta algún problema, llame a Servicio a Clientes de Keeper Winch al teléfono 800-533-7372 o contacte a keeperwinches@hamptonproducts.com.

Síntoma	Posibles causas	Acción correctiva
El motor no funciona o gira en una sola dirección	<ol style="list-style-type: none"> 1. Cables de alimentación rotos o mala conexión al acumulador 2. El conmutador no funciona 3. El cabrestante está dañado 4. El solenoide está dañado 5. Falla del disyuntor de circuito 	<ol style="list-style-type: none"> 1. Revise si se tiene(n) mala(s) conexión(es) y que todos los cables están perfectamente apretados y limpios. 2. Revise que los cables del conmutador están conectados correctamente al solenoide. 3. Reemplace o repare. 4. Reemplace el solenoide. 5. Reemplace el disyuntor.
El motor funciona extremadamente caliente	<ol style="list-style-type: none"> 1. Periodo largo de funcionamiento 2. Dañado durante el funcionamiento 	<ol style="list-style-type: none"> 1. Permita que se enfríe. 2. Reemplace o repare.
El motor funciona pero con insuficiente potencia o velocidad en la línea	<ol style="list-style-type: none"> 1. Acumulador débil/baja potencia 2. El cable de alimentación del acumulador al Cabrestante está demasiado largo 3. Mala conexión en el acumulador 4. Mala conexión a tierra 5. Motor dañado 	<ol style="list-style-type: none"> 1. Recargue o reemplace el acumulador. Revise el sistema de carga eléctrica. 2. Use únicamente los cables proporcionados. Si es necesario aumentar la longitud, utilice cables de calibre dos (2) o tres (3) AWG. 3. Revise si se tiene corrosión en los terminales del acumulador. Limpie según corresponda. 4. Revise y limpie las conexiones. 5. Reemplace o repare.
El motor funciona pero el tambor no gira	El embrague no está engranado	Engrane el embrague.
El cabrestante gira al revés	<ol style="list-style-type: none"> 1. Los cables del acumulador están cambiados al revés 2. Los cables del conmutador están cambiados al revés 3. El conmutador está instalado de manera incorrecta 	<ol style="list-style-type: none"> 1. Vuelva a revisar el cableado. 2. Vuelva a revisar el cableado. 3. Revise la instalación del conmutador.

Para obtener piezas de reemplazo contacte a Servicios al Cliente de KEEPER Winch al teléfono 800-533-7372 o envíenos un correo electrónico a keeperwinches@hamptonproducts.com

GARANTÍA LIMITADA DE POR VIDA: Hampton Products International garantiza el producto de acuerdo con las disposiciones siguientes: Los componentes mecánicos tienen la garantía, durante toda la vida útil del cabrestante, de que están exentos de defectos de materiales y de fabricación. Los componentes eléctricos tienen garantía de 1 año de estar exentos de defectos de materiales o de fabricación. Si se produce un defecto de materiales o de fabricación, llame al 800-533-7372 para obtener instrucciones para la reparación o reemplazo de este Producto. Esta garantía cubre solamente al comprador/consumidor original de los productos a partir de la fecha de compra del producto. Los productos defectuosos devueltos pasan a considerarse de propiedad del fabricante. Limitaciones de la Garantía: Las siguientes limitaciones rigen sobre la Garantía: (a) La Garantía sólo se aplica a Productos que presentan defectos materiales o de fabricación. Esta Garantía no cubre el desgaste natural. La Garantía no cubre el costo de reparación o mano de obra en el que se incurra al quitar o reemplazar el Producto. (b) La Garantía no cubre el acabado del cabrestante ni el cable de acero. Por consiguiente, el fabricante no reemplazará, arreglará o retocará el acabado de ningún Producto si el acabado del Producto se hubiese deteriorado de cualquier manera. (c) La Garantía no cubre aquellos Productos que estén dañados o que no funcionen como resultado del abuso, descuido o mal uso del Producto, o como resultado de un accidente, o si fue mal aplicado, sobrecargado, instalado incorrectamente o modificado de alguna manera por persona alguna que no sea el fabricante, sus agentes o representantes. **Obligaciones del Comprador/Consumidor.** Para obtener los beneficios de esta Garantía, el Comprador/Consumidor deberá devolver el producto defectuoso, con porte postal prepago junto con el comprobante de compra dentro del periodo de garantía contado desde la fecha de compra, a Keeper Corporation o a un centro de servicio autorizado.

Derechos y limitaciones legales del Comprador/Consumidor. ESTA GARANTÍA LE OTORGA DERECHOS LEGALES ESPECÍFICOS Y USTED TAMBIÉN PUEDE TENER OTROS DERECHOS, LOS CUALES VARIAN DE UN ESTADO A OTRO. CUALQUIER GARANTÍA IMPLÍCITA DE COMERCIALIZACIÓN O IDONEIDAD PARA UN FIN ESPECÍFICO DE CUALQUIER PRODUCTO HABRÁ DE LIMITARSE A LAS DISPOSICIONES DE LA GARANTÍA A PARTIR DE LA FECHA DE LA COMPRA MINORISTA QUE CUBRE AL COMPRADOR ORIGINAL. ALGUNOS ESTADOS NO PERMITEN LIMITACIONES.

©2013 Hampton Products International Corp.
322 Main St.
Willimantic, CT 06226
800-533-7372
www.keeperwinches.com or keeperwinches@hamptonproducts.com
999-01000_KV10022_REVA 11/13