

Installation Instructions

LT15 Multi-Rack

for Utility Landscape Trailers

Holds most hedge trimmers, chain saws, and hand blowers.

Before you begin installing:

1. Read and understand these instructions completely.
2. Verify that you have received all the parts listed in the bill of materials.

WARNING

Always wear safety glasses when using power tools.

Utility Trailer Installation Instructions

Tools Required:

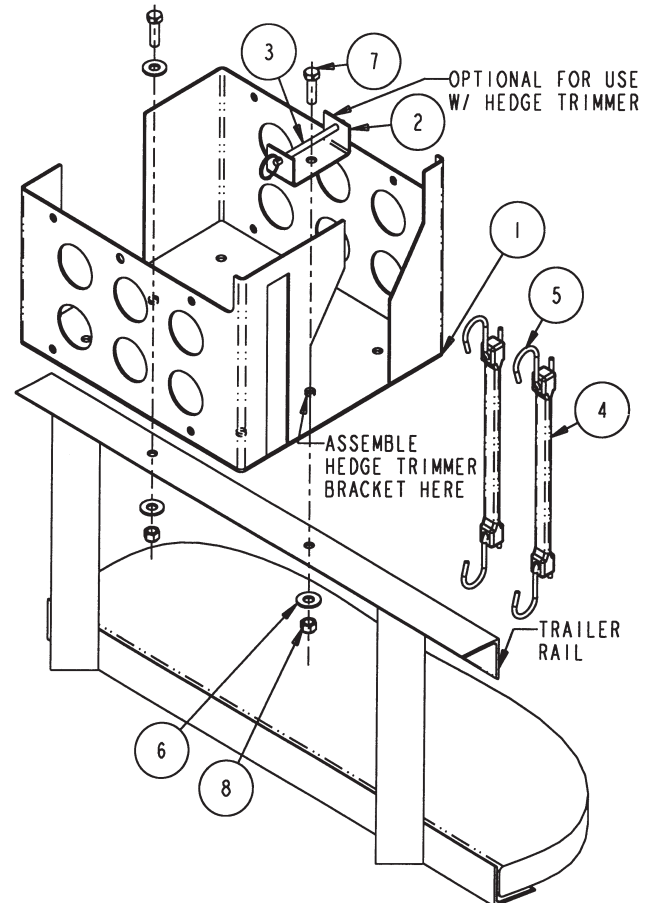
- (2) 9/16" Wrenches and/or Sockets
- (1) Electric Drill
- (1) 13/32" Drill Bit

1. Place the Multi-Rack on the rail or fender of your utility trailer where you would like it mounted. **Make sure the rack does not extend past the widest part of the trailer.** If you are mounting the Multi-Rack close to another rack or obstruction, verify that the tools you would like to place in the rack fit in the area selected.

2. Mark the position of the holes on the trailer rail (2) or on the fender (3). Make sure the marks made on the trailer rail are centered in the rail angle's web. If you are mounting the rack on the trailer's fender and wish to use the hedge trimmer attachment, you must use the center hole where the bracket is to be mounted.

WARNING

Check for locations of brake lines and electrical wiring etc., before drilling any holes. Any damage to trailer during installation is the installer's sole responsibility.



Bill of Materials

ITEM	PART NO.	QTY.	DESCRIPTION
1	3000058	1	Multi-Rack Weldment
2	3000057	1	Bracket, Hedge Trimmer, Multi-Rack
3	3000538	1	Pin, Detent
4	-	2	Strap, Rubber Tarp 9"
5	-	4	S-Hook, 2-1/2" ZN, Tarp Strap
6	-	3	Washer, Flat 3/8" USS ZN
7	-	2	Screw, HHC 3/8-16 x 1-1/4 Gr. 5 ZN
8	-	2	Nut, Nylock 3/8-16 x 7/16 ZN

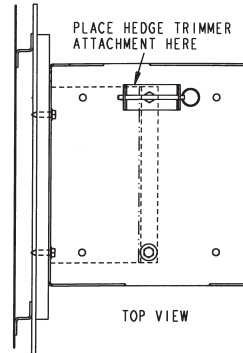
3. Drill 13/32" holes in the positions marked.

4. Bolt the rack to the trailer with the 3/8-16 x 1-1/4 screws, 3/8" flat washers, and nuts supplied (2 or 3) and tighten. If the hedge trimmer bracket is used, omit the washer under the head of the screw that holds it. Hedge trimmer bracket must be mounted in the location shown in illustration.

Enclosed Trailer Installation Instructions

Tools Required:

- 9/16" Wrenches and/or Sockets
- 1/2" Wrench or Socket
- Electric Drill
- 7/32" & 1/4" Drill Bits
- 3/4" Plywood Shim Strips
- Shim Screws



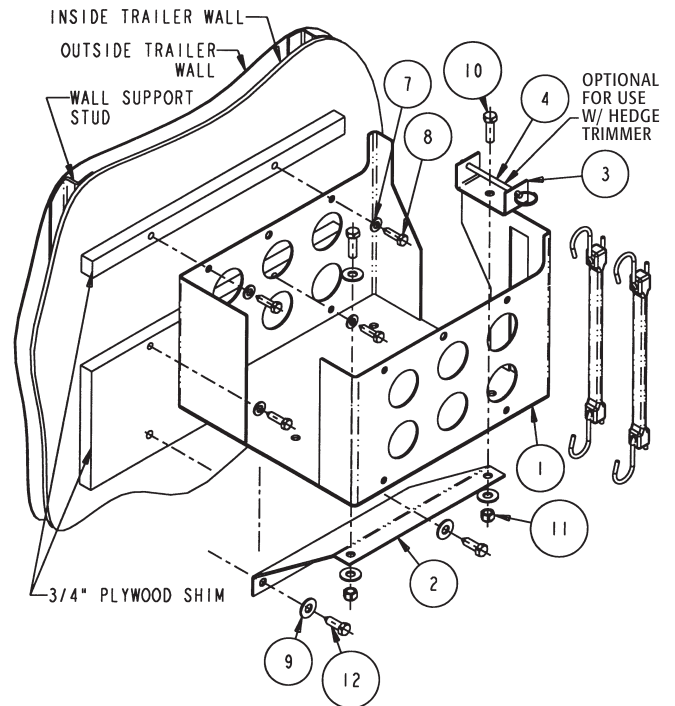
- 1.** Assemble the gusset bracket and hedge trimmer bracket (if used) to the multi-rack weldment with two 3/8-16 x 1-1/4 screws, flat washers and nuts supplied. If the hedge trimmer bracket is used, omit the washer under the head of the screw that holds it.
- 2.** In order to mount this rack to an enclosed trailer,

WARNING

Check for locations of electrical wiring etc., before drilling any holes. Any damage to trailer during installation is installer's sole responsibility

you must first add 3/4" plywood shim strips to the walls. These shim strips must be attached to at least two wall support studs with suitable fasteners. If you don't know what kind or length of fastener to use contact your trailer dealer or manufacturer for their recommendation. The shim strips should not completely cover the six 2" holes. These holes need to be unobstructed for tarp strap attachment.

- 3.** Place the multi-rack with gusset against the shims, hold level, and mark the position of the four 5/16" corner holes in rack and the two 3/8" gusset holes.
- 4.** Drill four 7/32" holes for the 5/16" lag screws, and two 1/4" holes for the 3/8" lag screws. **Be extremely careful not to drill through the outside trailer wall.**
- 5.** Fasten the rack to the trailer wall with the hardware supplied.



Bill of Materials

ITEM	PART NO.	QTY.	DESCRIPTION
1	3000058	1	Multi-Rack Weldment
2	3004501	1	Bracket, Gusset, LT15, LT30
3	3000057	1	Bracket, Hedge Trimmer, Multi-Rack
4	3000538	1	Pin, Detent
5	-	2	Strap, Rubber Tarp 9"
6	-	4	S-Hook, 2-1.2" ZN, Tarp Strap
7	-	4	Washer, 5/16" SAE ZN
8	-	4	Screw, Hex HEad Lag, 5/16 x 1-1/4 ZN
9	-	5	Washer, Flat 3/8" USS ZN
10	-	2	Screw, HHC 3/8-16 x 1-1/4 Gr. 5 ZN
11	-	2	Nut, Nylock 3/8-16 x 7/16 ZN
12	-	2	Screw, Hex Head Lag, 3/8 x 1-1/4 ZN

Warranty

Buyers Products Co. warrants all truck/trailer hardware manufactured or distributed by it, to be free from defects in material and workmanship for a period of one year from date of shipment. Parts must be properly installed and used under normal conditions. Any product which has been altered, including modification, misuse, accident or lack of maintenance will not be considered under warranty. Normal wear is excluded. The sole responsibility of Buyers Products Co. under this warranty is limited to repairing or replacing any part or parts which are returned, prepaid, and are found to be defective by Buyers Products Co. Authorization from Buyers Products Co. must be obtained before returning any part. No charges for transportation or labor performed on Buyers' products will be allowed under this warranty.