



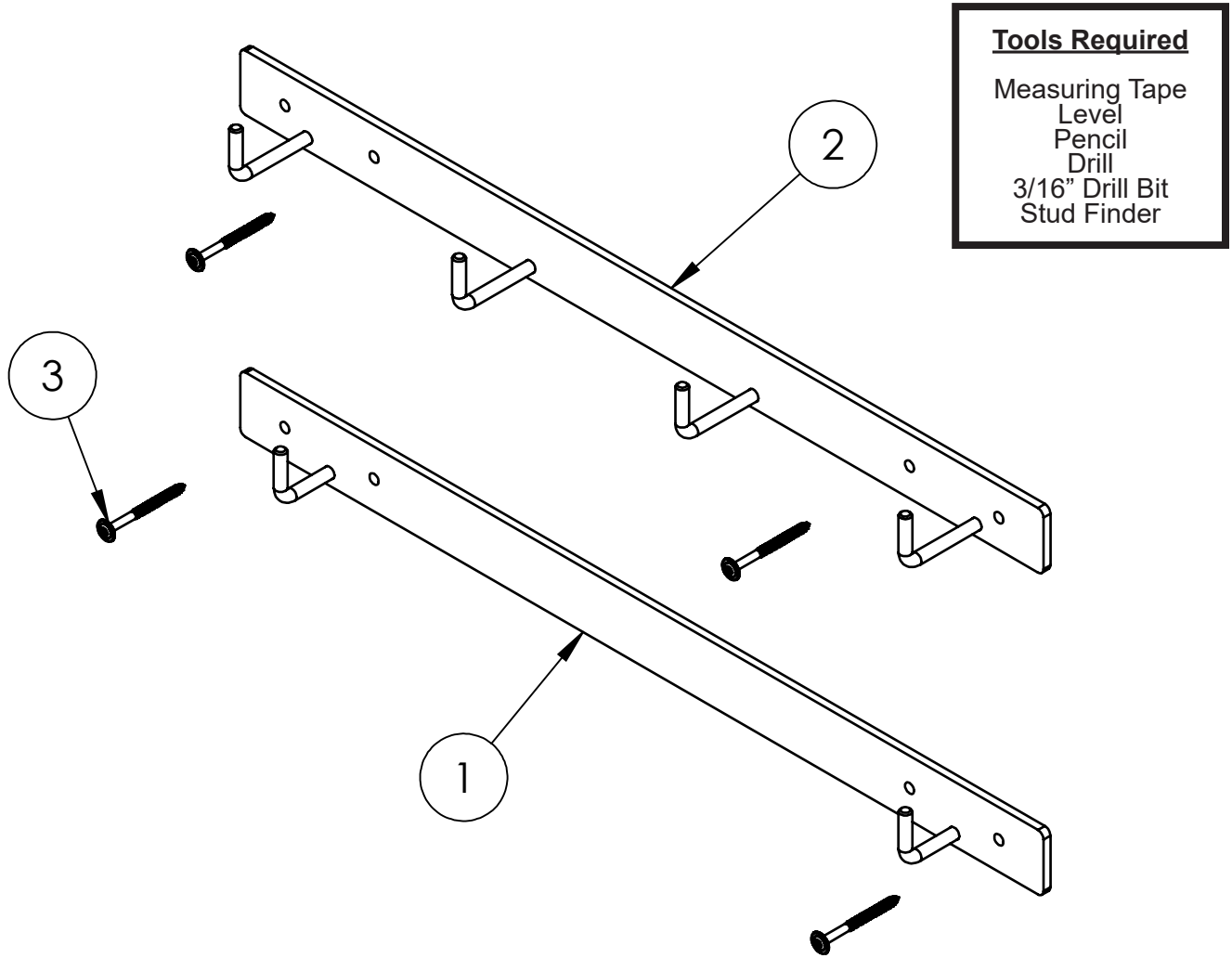
The MAD-MOUNT consists of two components: a Lower Mounting Plate for the MAD-RAMPS frame and an Upper Mounting Plate for the Pivot Cage Assemblies (Pivot Cages and Aluminum Ramps). The Upper Mounting Plate has four individual hooks and the Lower Mounting Plate has two individual hooks, along with the MAD-RAMPS logo. Two fasteners for each Mounting Plate are included in box. Please note that the Upper and Lower Mounting Plates are not interchangeable.

The MAD-MOUNT is equipped with pre-drilled holes on each mounting plate to accommodate wall framing on 16-inch and 24-inch centers. **The MAD-MOUNT must be secured into the wood-framed wall studs with the provided fasteners. The use of drywall anchors or other fasteners are not acceptable and could be a potential safety hazard. The MAD-MOUNT is designed only for wood framed walls and should not be used on metal-framed walls. Please follow instructions carefully to ensure proper installation.**

Mount the MAD-MOUNT on an area six-feet wide by five-feet high to accommodate The MAD-RAMPS Pivoting Ramp System when stored. Additionally, prior to beginning the installation process, clear your work area of any objects that could pose a safety hazard, and always ensure that there are no small children present in your work area. Lastly, in an effort to discourage small children from climbing on the MAD-MOUNT after installation, install the MAD-MOUNT in a low-traffic area of your garage or shop.

MR0100 MAD-MOUNT

Installation Instructions



Item No.	Part No.	Description	Qty.
1.....	61-8307	2 Hook Lower Mounting Plate	1
2.....	61-8308	4 Hook Upper Mounting Plate	1
3.....	201-1124	5-16" x 3-1/2" SPAX Power Lag, ZP	4
4.....	229-1154(Not Shown)	T40 x 2" Torx Power Bit	1

MR0100 MAD-MOUNT

Installation Instructions

Installing the Upper Mounting Plate

Step 1:

After locating the wall space where you will install the MAD-MOUNT, measure five feet up from the ground and make a mark on the wall. Using a level, draw a straight line across the wall (approximately 36 inches); this line will be used as a reference point for installing the Upper Mounting Plate.

Once the reference line has been drawn, locate the studs in the wall and mark each stud that intersects the reference line drawn. These marks must line up with the pre-drilled holes in the Upper Mounting Plate.

NOTE: Walls framed 16 inches on center will use the outer pre-drilled holes and will span three studs (32 inches). Walls framed 24 inches on center will use the inner pre-drilled holes and will span across two studs (24 inches).

Step 2:

Align the bottom edge of the Upper Mounting Plate on the horizontal reference line drawn in step 1. Verify that the pre-drilled holes in the plate line up with the wall studs; then pre-drill holes in the wall studs using the 3/16" drill bit. Next, use two of the provided fasteners to secure the Upper Mounting Plate to the wall studs with the aid of the provided T40 Torx Bit. Check again to ensure that both fasteners are completely tightened into the wall studs.

Installing the Lower Mounting Plate

Step 3:

Measure down 10 1/2 inches from the top edge of the Upper Mounting Plate and make a mark. Using a level, draw a straight line across the wall (approximately 36 inches); this line will be used as a reference point for installing the Lower Mounting Plate.

Step 4:

Align the top edge of the Lower Mounting Plate on the horizontal reference line drawn in step 3. Verify that the pre-drilled holes in the plate line up with the wall studs; then pre-drill holes in the wall studs using the 3/16" drill bit. Next, use two of the provided fasteners to secure the Lower Mounting Plate to the wall studs with the aid of the provided T40 Torx Bit. Check again to ensure that both fasteners are completely tightened into the wall studs.

Figure 1 shows how the MAD-MOUNT should look when properly installed.

The MAD-MOUNT is now properly installed and ready to store The MAD-RAMPS Pivoting Ramp System.

MR0100 MAD-MOUNT

Installation Instructions

Figure 1



Storing the MAD-RAMPS Pivoting Ramp System

STEP 1:

Ensure both ramps are locked into the off-road travel position. Remove the retainer clip from the driver's side of the Pivot Bar, and then slide the Driver-Side Pivot Cage and Aluminum Ramp off of the MAD-RAMPS frame and set it aside. Reinsert the retainer clip into Pivot Bar. Repeat the process for the Passenger-Side Pivot Cage and Aluminum Ramp.

STEP 2:

Disconnect the electrical plug that connects the MAD-RAMPS lighting cord to your truck.

STEP 3:

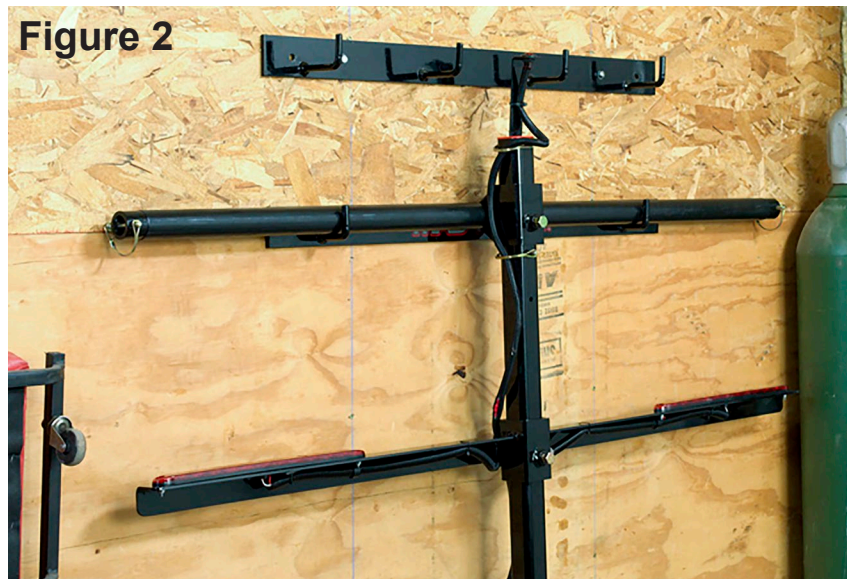
Remove the receiver pin from the receiver hitch on your truck. Disconnect the MAD-RAMPS frame from your truck by sliding the frame's main arm out of the receiver hitch.

STEP 4:

Hang the MAD-RAMPS frame on the Lower Mounting Plate (with the top-side of the frame facing the wall) by placing the Pivot Bar on the lower plate's two hooks, as shown in Figure 2. Ensure that the MAD-RAMPS frame is centered on the Lower Mounting plate for even weight distribution. Please note that the receiver end of the frame's main arm should be facing the ground.

MR0100 MAD-MOUNT

Installation Instructions



STEP 5:

Hang the Driver-Side Pivot Cage on two of the four hooks on the Upper Mounting Plate. The steel tubing that affixes the Pivot Cage to the Pivot Bar (when fully assembled) should be facing away from the wall. Repeat this process for the Passenger-Side Pivot Cage, utilizing the two remaining hooks on the Upper Mounting Plate. Figure 3 shows how the MAD-RAMPS Pivoting Ramp System looks when properly stored on the MAD-MOUNT.

