

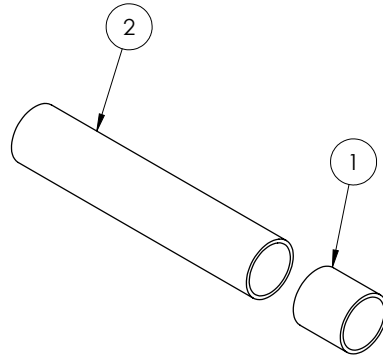
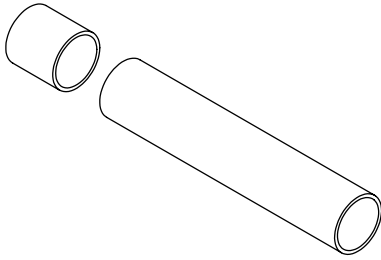


## THE MAD-RAMPS POLY SPACERS OWNER'S MANUAL

**Please read this manual entirely prior to assembly or operation of the MAD-RAMPS with Poly Spacers. Please call us at 1 (844) MAD-RAMP with any questions.**

# MR0101 MAD-RAMPS Poly Spacer

## Installation Instructions



Item No.	Part No.	Description	Qty.
1.....	190-0230 .....	Poly Spacer, Short.....	2
2.....	190-0231 .....	Poly Spacer, Long .....	2

Attach poly spacers to the pivot bar to keep ramps from shifting during transport and loading. These polycarbonate spacers are included in the MAD-RAMPS Snowmobile Kit and are required to make the quick clamps on your center ramp work



MR0101 MAD-RAMPS Poly Spacer  
Installation Instructions

The logo for MAD-RAMPS is displayed in a large, bold, red font with a white outline. The text is set against a black rectangular background. A small trademark symbol (TM) is located at the bottom right of the word "RAMPS".

**CONTACT US**

(844) 623-7267 | [order@madramps.com](mailto:order@madramps.com) | [www.madramps.com](http://www.madramps.com)