

CLASS 3 TRAILER HITCH

R3-0505

Nissan Murano

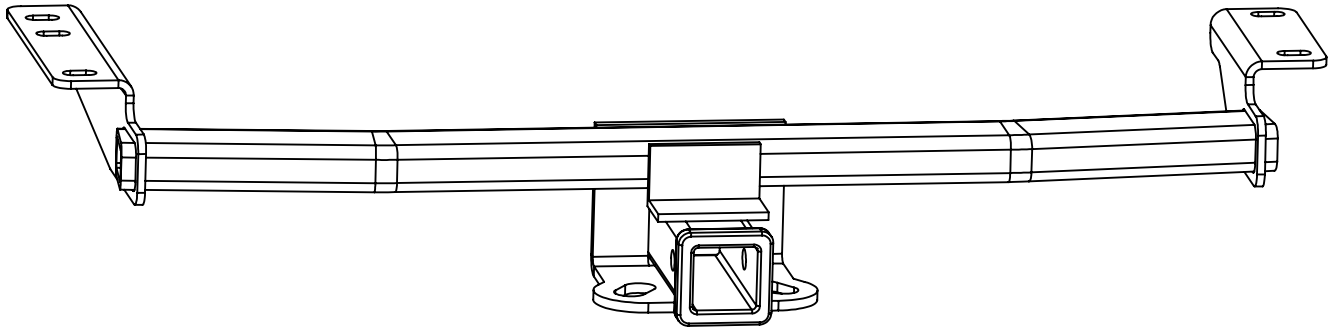
TOOLS REQUIRED:

DRILLS: None

WRENCHES: 10mm, 16mm, 19mm

HITCH RATING: 4,000 LBS WEIGHT CARRYING, 400 LBS TONGUE WEIGHT. THIS HITCH IS NOT RATED FOR WEIGHT DISTRIBUTING. WARNING: CONSULT VEHICLE OWNERS MANUAL FOR TOWING RECOMMENDATIONS. DO NOT EXCEED VEHICLE'S RECOMMENDED TOWING CAPACITY. THIS PRODUCT IS DESIGNED FOR TRAILER TOWING ONLY AND SHOULD NOT BE USED FOR ANY OTHER PURPOSE.

NOTE: INSTALL PARTS LOOSELY UNTIL ALL ATTACHMENTS HAVE BEEN MADE TO VEHICLE



1. Lower the exhaust by removing the three rubber isolators (2) on the driver's side (1) on the passenger's side.
2. Remove the tie down bracket from the driver's side. Return bracket and fasteners to vehicle owner.
3. Disconnect the fascia from the valance panel by removing the two plastic push pins. Return push pins to vehicle owner.
4. Remove the valance panel by removing the four hex nuts. Return panel and nuts to vehicle owner.
5. Raise the hitch into position by carefully pulling fascia down to allow clearance for the hitch side brackets. Secure the hitch using the conical washers and hex bolts provided.
6. Tighten all fasteners to the appropriate torque specifications shown below.
7. Raise the exhaust back into position and reattach the three rubber isolators.
8. Use cable ties to secure the fascia to the hitch cross tube.

Thank you for purchasing a Rigid Hitch

TIGHTEN ALL FASTENERS TO THE TORQUE SPECIFICATIONS SHOWN BELOW

Hardware Package:

- (4) M12-1.25 x 30mm Hex Bolts
- (4) 1/2" Conical Washers
- (1) M10-1.25 x 30mm Hex Bolt
- (1) 3/8" Conical Washer
- (2) Plastic Cable Ties

GIVE THIS INSTRUCTION SHEET TO VEHICLE OWNER

| BOLT TIGHTENING TORQUE (LB-FT) | | | |
|--------------------------------|-----------|-----------|----------|
| BOLT SIZE | TORQUE | BOLT SIZE | TORQUE |
| 3/8" | 25 LB FT | 8MM | 20 LB FT |
| 7/16" | 50 LB FT | 10MM | 38 LB FT |
| 1/2" | 60 LB FT | 12MM | 68 LB FT |
| 3/4" | 120 LB FT | | |

THIS PRODUCT COMPLIES WITH SAFETY SPECIFICATIONS AND REQUIREMENTS FOR SAE AND VESC REGULATION V-5 FOR CONNECTING DEVICES AND TOWING SYSTEMS. DO NOT MODIFY THIS PRODUCT. INSTALL ONLY ON SPECIFIED VEHICLES IN GOOD CONDITION.

RIGID[®]
HITCH INCORPORATED
 3301 WEST BURNSVILLE PARKWAY
 BURNSVILLE, MN 55337

REV.
2/14