

CLASS 3 TRAILER HITCH

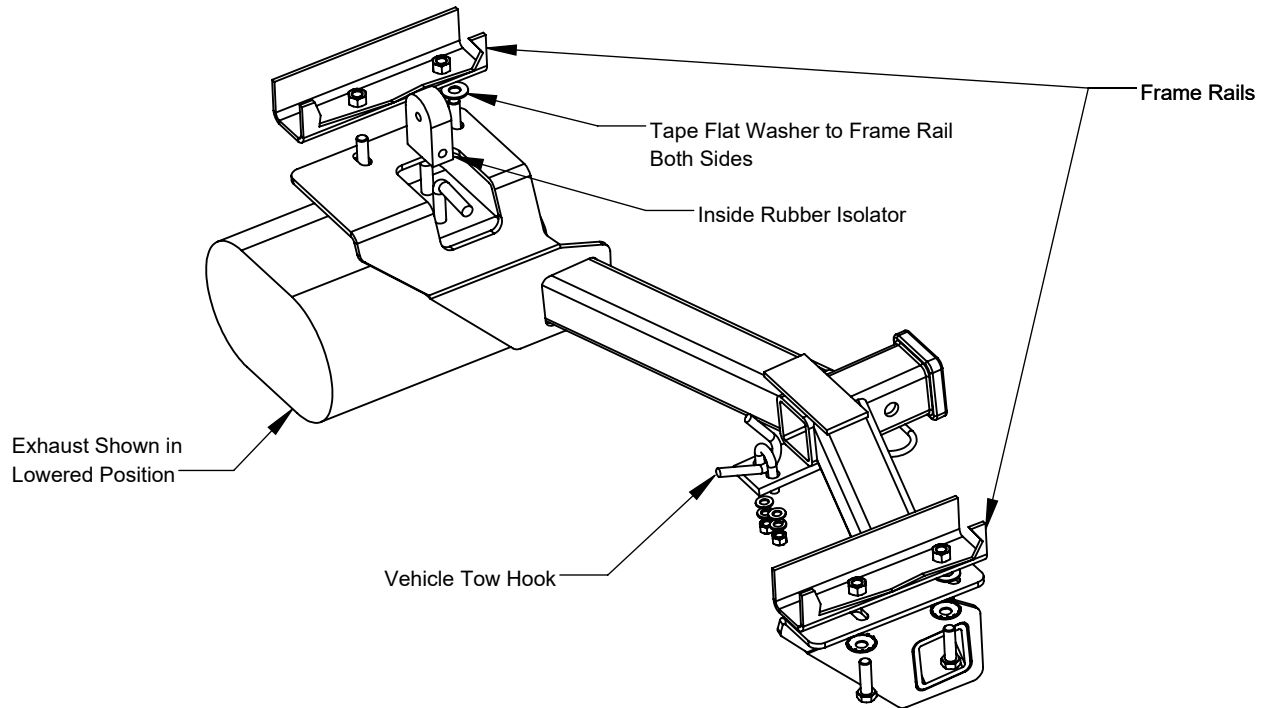
R3-0508

Honda CR-V

TOOLS REQUIRED: Phillips and Flat Screw Drivers
WRENCHES: Ratchet, Torque Wrench, Socket Extension,
10mm, 17mm, 11/16" Sockets

HITCH RATING: 3,500 LBS WEIGHT CARRYING, 350 LBS TONGUE WEIGHT. THIS HITCH IS NOT RATED FOR WEIGHT DISTRIBUTING. WARNING: CONSULT VEHICLE OWNERS MANUAL FOR TOWING RECOMMENDATIONS. DO NOT EXCEED VEHICLE'S RECOMMENDED TOWING CAPACITY. THIS PRODUCT IS DESIGNED FOR TRAILER TOWING ONLY AND SHOULD NOT BE USED FOR ANY OTHER PURPOSE.

NOTE: INSTALL PARTS LOOSELY UNTIL ALL ATTACHMENTS HAVE BEEN MADE TO VEHICLE



1. Remove the appearance panel on driver's side. Remove the 5 plastic rivets, 3 hex nuts and 2 Phillips screws in the drivers side rear wheel well behind the tire.
2. Re-install the 2 Phillips screws and return all other fasteners and appearance panel to vehicle owner.
3. Lower the exhaust by removing the rubber isolators from muffler hangers. **Hint:** Remove the outside isolator first.
4. Tape a flat washer to the rearward weld nut location on both frame rails.
5. Hang the u-bolt on the tow hook of the vehicle.
6. Raise the hitch into position feeding the u-bolt through the holes in the tow hook plate of the hitch.
7. Install the (4) 10mm hex bolts and conical washers into the existing weld nuts. Torque to 38 LB-FT.
8. Attach the u-bolt using the 3/8" flat washers, lock washers, and hex nuts provided. Torque to 25 LB-FT.
9. Raise the exhaust back into position and re-install the rubber isolators. Start with the inside isolator.

Thank you for purchasing a Rigid Hitch

Hardware Package:	(4) 10 x 1.25 x 30mm Hex Bolts	(2) 3/8" Lock Washers
	(4) 7/16 Conical Washers	(2) 3/8" Heavy Hex Nuts
	(1) 3/8" U-Bolt	(2) 1/2" Flat Washers
	(2) 3/8" Flat Washers	

GIVE THIS INSTRUCTION SHEET TO VEHICLE OWNER



THIS PRODUCT COMPLIES WITH SAFETY SPECIFICATIONS AND REQUIREMENTS FOR SAE AND VESC REGULATION V-5 FOR CONNECTING DEVICES AND TOWING SYSTEMS. **DO NOT MODIFY THIS PRODUCT. INSTALL ONLY ON SPECIFIED VEHICLES IN GOOD CONDITION.**

RIGID[®]
HITCH INCORPORATED
3301 WEST BURNSVILLE PARKWAY
BURNSVILLE, MN 55337

REV.
8/17