

CLASS 3 TRAILER HITCH

R3-0866

Chevrolet Colorado/ GMC Canyon

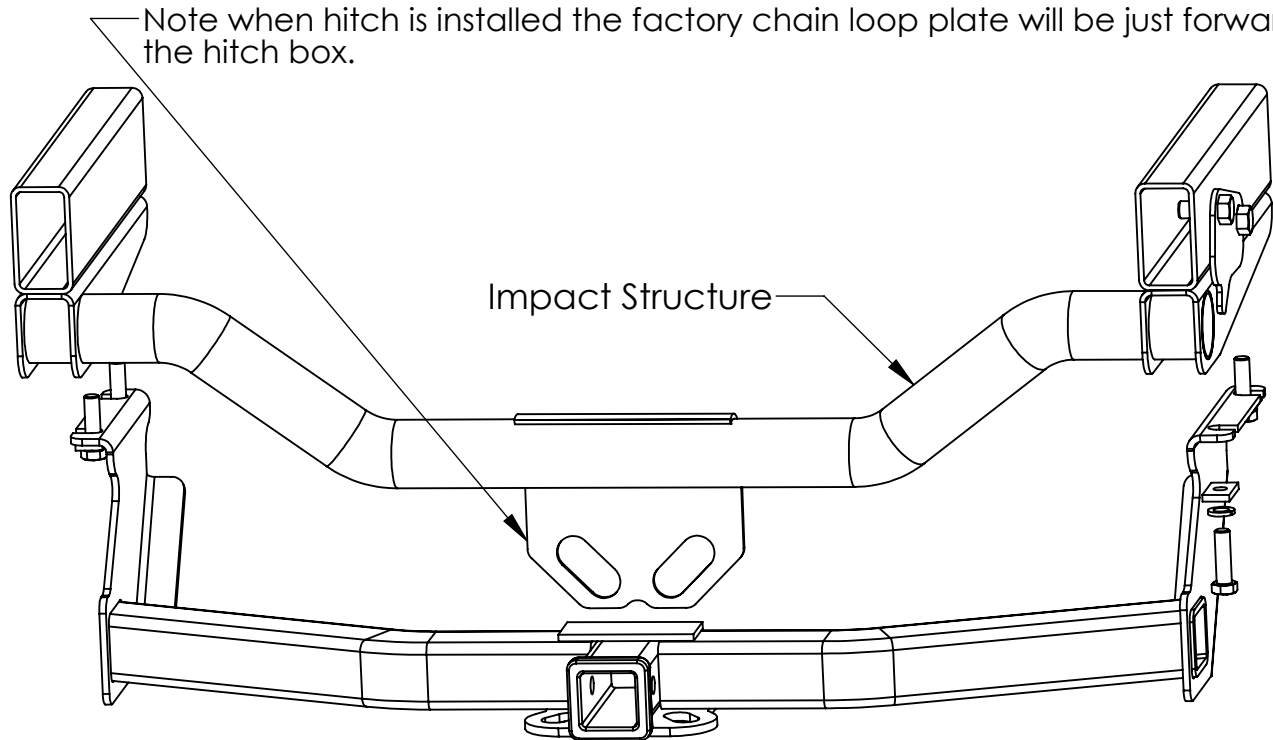
TOOLS REQUIRED:

DRILLS: None

WRENCHES: Ratchet, Torque Wrench
21mm, 22mm Sockets, Socket Extension

HITCH RATING: 5,000 LBS WEIGHT CARRYING, 500 LBS TONGUE WEIGHT / 6,000 LBS WEIGHT DISTRIBUTING, 600 LBS TONGUE WEIGHT.
WARNING: CONSULT VEHICLE OWNERS MANUAL FOR TOWING RECOMMENDATIONS. DO NOT EXCEED VEHICLE'S RECOMMENDED TOWING CAPACITY. THIS PRODUCT IS DESIGNED FOR TRAILER TOWING ONLY AND SHOULD NOT BE USED FOR ANY OTHER PURPOSE.

NOTE: INSTALL PARTS LOOSELY UNTIL ALL ATTACHMENTS HAVE BEEN MADE TO VEHICLE



1. Remove the four bolts (2 each frame rail) from the bottom of the vehicle impact structure (cross member with the factory chain loops). Return bolts to owner.
2. Raise hitch into position. The vehicle impact structure will be sandwiched between the frame rails and the hitch.
3. Secure hitch with fasteners, lock washers, and block plates provided.
4. Tighten all fasteners to 100 LB-FT

Thank you for purchasing a Rigid Hitch

TIGHTEN ALL FASTENERS TO THE TORQUE SPECIFICATIONS SHOWN BELOW

Hardware Package:

- (4) M14 x 2.0 x 45mm CL10.9 Hex Bolts
- (4) 1/4 x 1 x 2 Block Plates
- (4) 9/16" Lock Washers

GIVE THIS INSTRUCTION SHEET TO VEHICLE OWNER

BOLT TIGHTENING TORQUE (LB-FT)			
BOLT SIZE	TORQUE	BOLT SIZE	TORQUE
3/8"	25 LB FT	8MM	20 LB FT
7/16"	50 LB FT	10MM	38 LB FT
1/2"	60 LB FT	12MM	68 LB FT
3/4"	120 LB FT	14MM	100 LB FT

THIS PRODUCT COMPLIES WITH SAFETY SPECIFICATIONS AND REQUIREMENTS FOR SAE AND VESC REGULATION V-5 FOR CONNECTING DEVICES AND TOWING SYSTEMS. DO NOT MODIFY THIS PRODUCT. INSTALL ONLY ON SPECIFIED VEHICLES IN GOOD CONDITION.

RIGID[®]
HITCH INCORPORATED
3301 WEST BURNSVILLE PARKWAY
BURNSVILLE, MN 55337

REV.
3/15