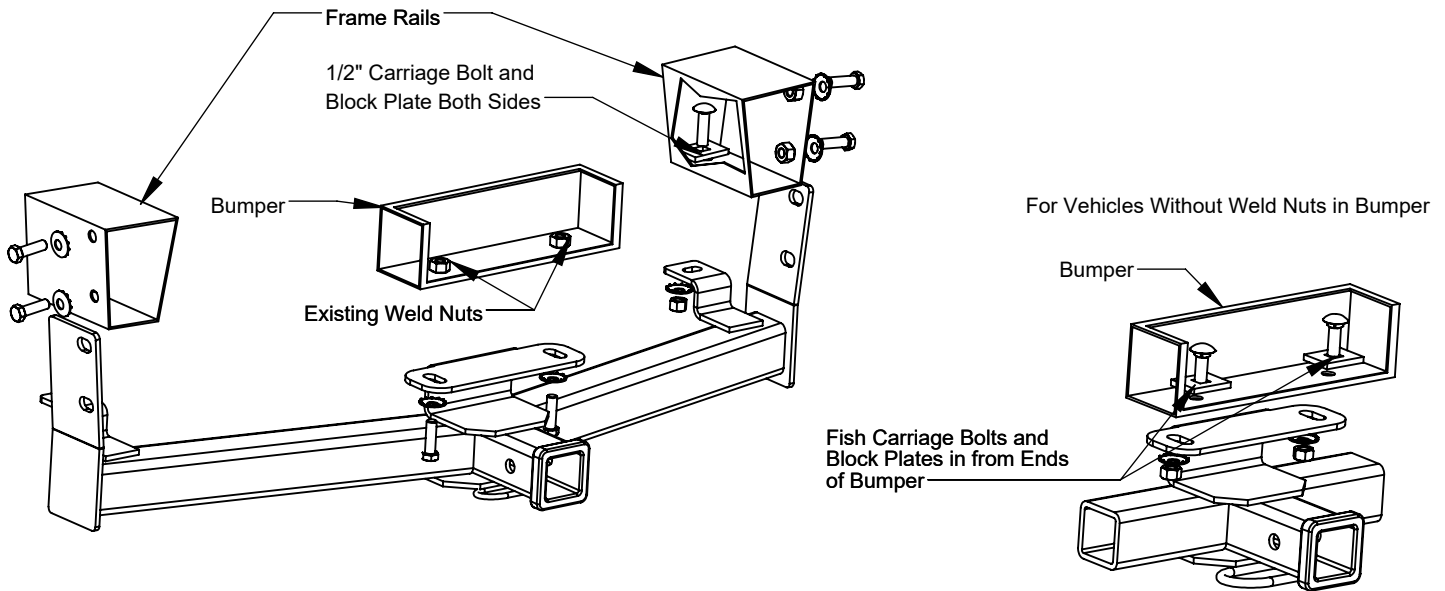


CLASS 3 TRAILER HITCH
R3-0867
 Equinox/ Torrent/ Vue/ Terrain

TOOLS REQUIRED: Ratchet, Socket Extension, Torque Wrench
 DRILLS: None
 WRENCHES/SOCKETS: 18mm, 19mm, 7/8"

HITCH RATING: 3,500 LBS WEIGHT CARRYING, 350 LBS TONGUE WEIGHT / 4,000 LBS WEIGHT DISTRIBUTING, 400 LBS TONGUE WEIGHT. WARNING: CONSULT VEHICLE OWNERS MANUAL FOR TOWING RECOMMENDATIONS. DO NOT EXCEED VEHICLE'S RECOMMENDED TOWING CAPACITY. THIS PRODUCT IS DESIGNED FOR TRAILER TOWING ONLY AND SHOULD NOT BE USED FOR ANY OTHER PURPOSE.

NOTE: INSTALL PARTS LOOSELY UNTIL ALL ATTACHMENTS HAVE BEEN MADE TO VEHICLE



1. If present remove the tie down brackets from the frame rail. Return bolts and brackets to owner.
2. If present, remove the center fascia door panel and return to owner.
3. Using the fish wire provided insert a carriage bolt and 1/4 x 1-1/2 x 2" block plate into the large mounting hole in the bottom of each frame rail.
4. Using care not to push the carriage bolts up into the frame rails, raise the hitch into position. Secure with (4) 12mm hex bolts and conical washers into existing weld nuts in the sides of the frame rails. Secure carriage bolts (step 3) with conical washers and 1/2-13 hex nuts.
5. If weld nuts are present in the bumper insert 12mm hex bolts and conical washers through bumper mounting bracket into existing weld nuts in the bumper.
6. If weld nuts are not present in the bumper use the fish wire provided to pull 1/4 x 1-1/2 x 2" block plate and 1/2" carriage bolt through each end of the bumper and down through the mounting holes in the bottom of the bumper rail. Secure with 1/2-13 hex nuts and conical washers.
Note: It may be necessary to enlarge the holes in the bumper beam to accommodate the 1/2" bolts.
7. Tighten 12mm bolts to 68 LB-FT, 1/2" hex nuts to 60 LB-FT.

Note: Due to different configurations of the vehicle there will be hardware remaining.

Thank you for purchasing a Rigid Hitch

Hardware Package:

(6) M12 x 1.75 x 40mm hex bolts	(4) 1/2-13 heavy hex nuts
(8) 1/2" conical washers	(4) 1/4 x 1-1/2 x 2 block plates
(4) 1/2-13 x 1-3/4" carriage bolts	(2) 1/2" fish wires

GIVE THIS INSTRUCTION SHEET TO VEHICLE OWNER



THIS PRODUCT COMPLIES WITH SAFETY SPECIFICATIONS AND REQUIREMENTS FOR SAE AND VESC REGULATION V-5 FOR CONNECTING DEVICES AND TOWING SYSTEMS. DO NOT MODIFY THIS PRODUCT. INSTALL ONLY ON SPECIFIED VEHICLES IN GOOD CONDITION.

RIGID[®]
HITCH INCORPORATED
 3301 WEST BURNSVILLE PARKWAY
 BURNSVILLE, MN 55337

REV.
 9/17