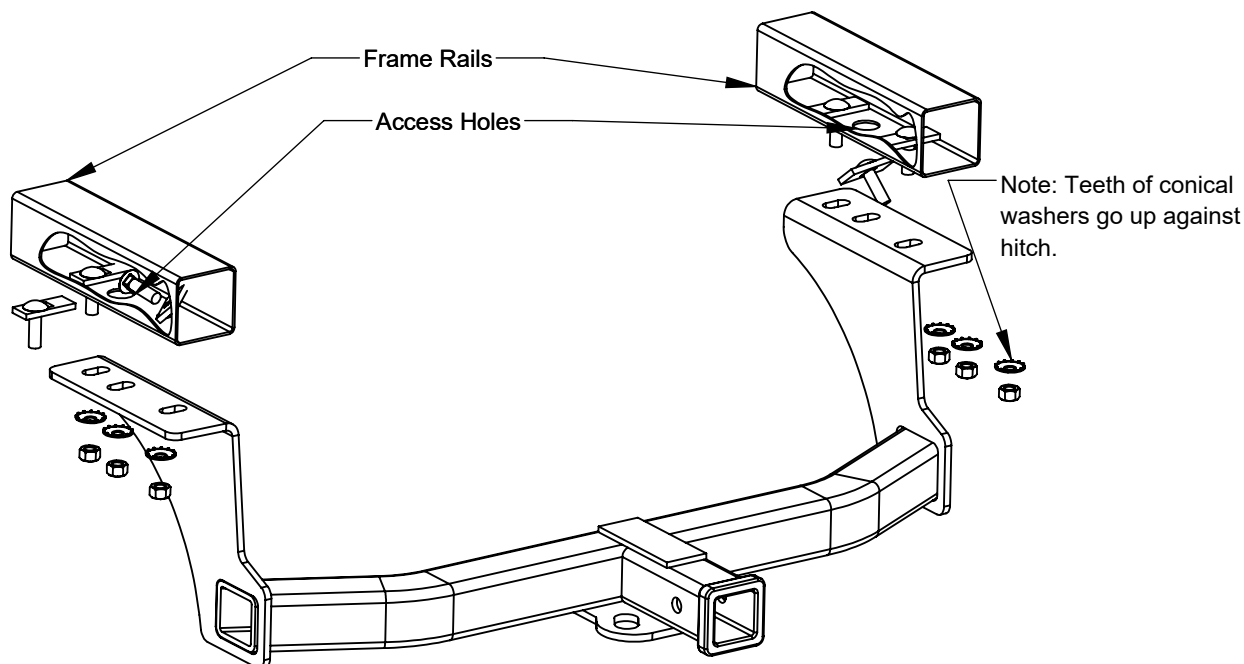


**CLASS 3 TRAILER HITCH**  
**R3-0869**  
**CHEVROLET EQUINOX/ GMC TERRAIN**

TOOLS REQUIRED:  
DRILLS: None  
WRENCHES: Torque Wrench, Ratchet  
SOCKETS: 15/16", Socket Extension

HITCH RATING: 3,500 LBS WEIGHT CARRYING, 525 LBS TONGUE WEIGHT NOT RATED FOR WEIGHT DISTRIBUTING  
WARNING: CONSULT VEHICLE OWNERS MANUAL FOR TOWING RECOMMENDATIONS. DO NOT EXCEED VEHICLE'S RECOMMENDED TOWING CAPACITY. THIS PRODUCT IS DESIGNED FOR TRAILER TOWING ONLY AND SHOULD NOT BE USED FOR ANY OTHER PURPOSE.

NOTE: INSTALL PARTS LOOSELY UNTIL ALL ATTACHMENTS HAVE BEEN MADE TO VEHICLE



**Note: To ease hardware installation enlarge access holes with die grinder**

1. Locate and remove the plastic push pin that attaches the wiring harness to the bottom of the passenger side frame rail.
2. Use the fish wires provided to insert the carriage bolts and block plates into the forward and rearward mounting holes in each frame rail. Fish wire the final carriage bolts and block plates into the access holes in each frame rail. Leave all fish wires attached.
3. Thread the fish wires through the mounting slots on the hitch, and carefully raise the hitch into position.
4. Using care not to push the hardware back up into the frame rails, remove the fish wires and loosely secure the hitch with the conical washers and hex nuts provided.
5. Center the hitch on the vehicle and torque all fasteners to 68 ft-lbs.

**Thank you for purchasing a Rigid Hitch**

**Hardware Kit:**

- |                                     |                               |
|-------------------------------------|-------------------------------|
| (6) 1/2"-13 x 1-3/4" Carriage Bolts | (6) 1/4 x 1 x 2" Block Plates |
| (6) 1/2" Conical Washers            | (6) 1/2" Fish Wires           |
| (6) 1/2" Heavy Hex Nuts             |                               |

**GIVE THIS INSTRUCTION SHEET TO VEHICLE OWNER**



THIS PRODUCT COMPLIES WITH SAFETY SPECIFICATIONS AND REQUIREMENTS FOR SAE AND VESC REGULATION V-5 FOR CONNECTING DEVICES AND TOWING SYSTEMS. **DO NOT MODIFY THIS PRODUCT. INSTALL ONLY ON SPECIFIED VEHICLES IN GOOD CONDITION.**

**RIGID**<sup>®</sup>  
**HITCH INCORPORATED**  
3301 WEST BURNSVILLE PARKWAY  
BURNSVILLE, MN 55337

REV.  
7/19