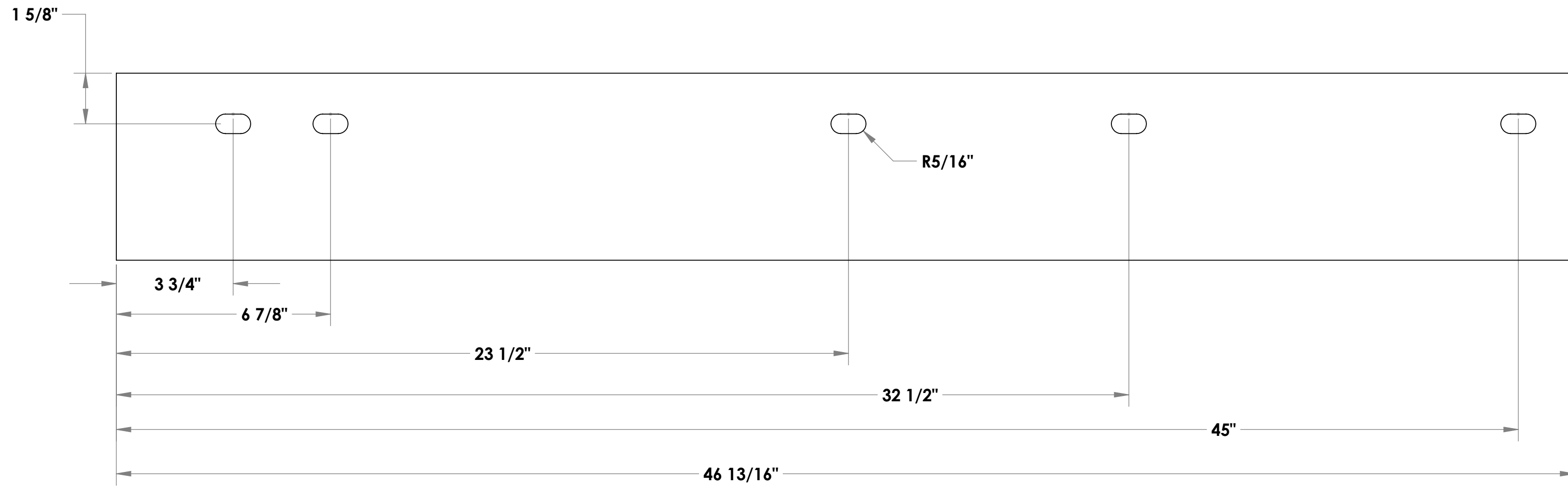


REVISIONS				
ZONE	REV.	DESCRIPTION	DATE	APPROVED
	A	INITIAL RELEASE	1/28/2014	EDN



NOTES:  
MATERIAL IS 1/2" C1080  
USE 5/8" SLOT PUNCH

PROPRIETARY AND CONFIDENTIAL  
THE INFORMATION CONTAINED IN THIS  
DRAWING IS THE SOLE PROPERTY OF  
RIGID HITCH, INC. ANY  
REPRODUCTION IN PART OR AS A WHOLE  
WITHOUT THE WRITTEN PERMISSION OF  
RIGID HITCH, INC. IS  
PROHIBITED.

UNLESS OTHERWISE SPECIFIED:		NAME	DATE
DIMENSIONS ARE IN INCHES		DRAWN	E. NASH 9/30/2016
TOLERANCES:		CHECKED	B. WIRTH 9/30/2016
FRACTIONAL ± 1/8"		ENG APPR.	E. NASH 9/30/2016
ANGULAR: MACH ± 1° BEND ± 1°		MFG APPR.	E. NASH 9/30/2016
TWO PLACE DECIMAL ±.060		Q.A.	
THREE PLACE DECIMAL ±.010		COMMENTS:	
INTERPRET GEOMETRIC TOLERANCING PER:			
MATERIAL			
1/2" C1080			
FINISH			
BLACK POWDER			
DO NOT SCALE DRAWING			

1311204

**RIGID**  
HITCH INCORPORATED

SIZE DWG. NO. REV  
**C** RCE-V4712 **A**

SCALE: 1:4 WEIGHT: SHEET 1 OF 1