

Spare Tire Carrier

RHSC-20

Fits Frames Up To 3" Wide and 4" High

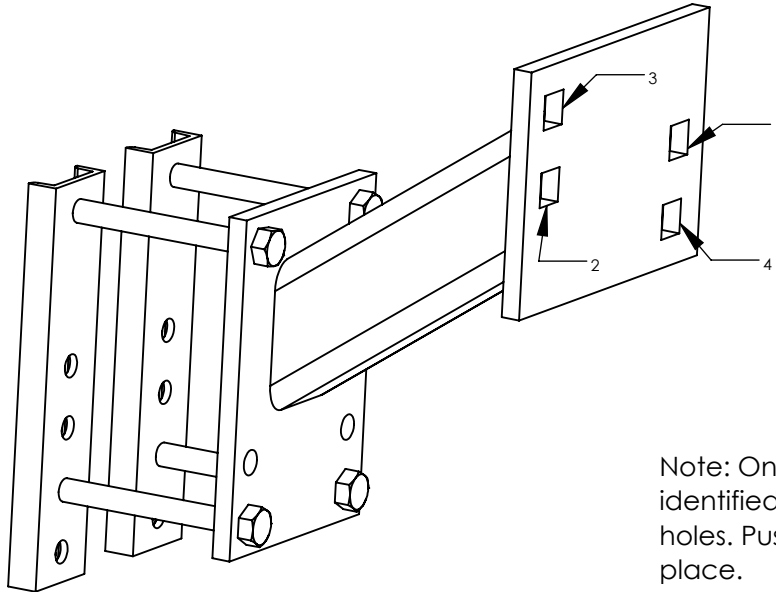
TOOLS REQUIRED:

DRILLS: NONE

WRENCHES: Open End, Ratchet,
Torque Wrench, Socket Extension, 9/16", 3/4"

This product is intended for use as a spare tire carrier and should not be used for any other purpose.
WARNING: To prevent runaway fires, the spare tire should also be secured by a safety chain or cable.
Read all instructions carefully before installing.

NOTE: INSTALL PARTS LOOSELY UNTIL ALL ATTACHMENTS HAVE BEEN MADE TO VEHICLE



4 Lug wheels with a 4" hole pattern:
Mount wheel using holes 1 and 2

5 Lug wheels with a 4-1/2" hole pattern:
Mount wheel using holes 1 and 3

5 Lug wheels with a 5" hole pattern:
Mount wheel using holes 3 and 4

Note: Once the proper mounting holes have been identified insert the 1/2" Carriage Bolts into the mounting holes. Push nuts provided will lock the carriage bolts into place.

1. Make sure that the trailer frame member used for mounting is strong enough to support the weight of the spare tire and withstand the stresses caused by high speed travel.
2. Trailer Tongue Mounting: When selecting a mounting location for the carrier, be sure there is adequate clearance between the tire and the rear bumper of the towing vehicle. Check for clearance when the vehicle and trailer are in a sharp turning position. Contact between the bumper and the spare tire could result in damage to the carrier causing it to fatigue and fail later.
3. Mid-Trailer Mounting: If the carrier is mounted on a side frame channel, be sure there is sufficient ground clearance between the tire and the road. Allow extra clearance for curbs or changes in the road surface.
4. Once a suitable mounting location has been established, assemble the carrier as shown and tighten all fasteners to 20 LB-FT.

Note: There will be excess hardware to accommodate different widths of frame rails.

Thank you for purchasing a Rigid Hitch product

Hardware Package:

(4) 3/8-16 x 4" Hex Bolts	(4) 3/8-16 Hex Nuts	(2) 1/2" Lock Washers
(4) 3/8-16 x 3" Hex Bolts	(2) 1/2-13 x 1-3/4" Carriage Bolts	(2) 1/2" Flat Washers
(4) 3/8" Lock Washers	(2) 1/2-13 Hex Nuts	(2) 1/2" Push Nuts

GIVE THIS INSTRUCTION SHEET TO VEHICLE OWNER



THIS PRODUCT COMPLIES WITH SAFETY SPECIFICATIONS AND REQUIREMENTS FOR SAE AND VESC REGULATION V-5 FOR CONNECTING DEVICES AND TOWING SYSTEMS. **DO NOT MODIFY THIS PRODUCT.** INSTALL ONLY ON SPECIFIED VEHICLES IN GOOD CONDITION.

RIGID[®]
HITCH INCORPORATED
3301 WEST BURNSVILLE PARKWAY
BURNSVILLE, MN 55337

REV.
5/16