

CLASS 1 TRAILER HITCH

RT-472

Ford Fusion/ Mercury Milan/ Lincoln MKZ

TOOLS REQUIRED:

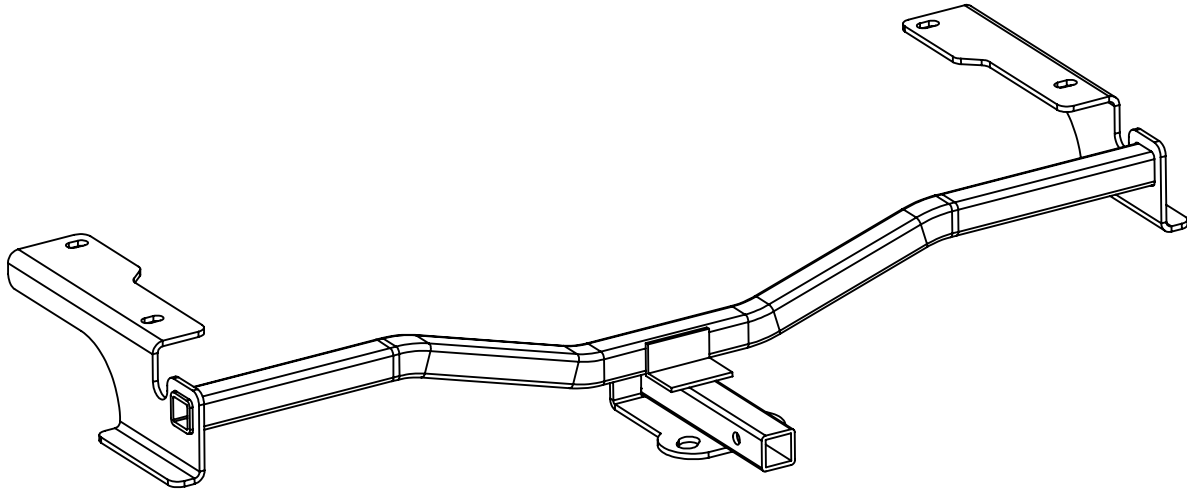
DRILLS: NONE

WRENCHES: 11/16"

2,000 LB GROSS TRAILER WEIGHT, 200 LB TONGUE WEIGHT. WARNING: CONSULT VEHICLE OWNERS MANUAL FOR TOWING RECOMMENDATIONS AND LIMITATIONS. THIS PRODUCT IS DESIGNED FOR TRAILER TOWING ONLY AND SHOULD NOT BE USED FOR ANY OTHER PURPOSE.

WARNING: USE ONLY RIGID HITCH APPROVED AND MANUFACTURED DRAW BAR INSERT OR WARRANTY WILL BE VOID

NOTE: INSTALL PARTS LOOSELY UNTIL ALL ATTACHMENTS HAVE BEEN MADE TO VEHICLE



1. Lower the exhaust by removing the rubber isolator(s) at the muffler(s) and one isolator near the rear suspension. Support the exhaust to prevent damage.
2. Using the fish wires provided feed a carriage bolt and block plate up through the slot at the rearward mounting location and into the forward mounting hole in each frame rail. To aide installation leave the fish wires attached.
3. Use the remaining fish wires to insert the carriage bolts and block plates into the rearward mounting slots and leave the fish wires attached. It may be necessary to insert the carriage bolts at an angle.
4. Raise the hitch into position feeding the fish wires through the mounting holes in the hitch brackets.
5. Remove the fish wires and secure with the conical washers and hex nuts provided.
6. Torque all fasteners to the appropriate torque specifications shown below.
7. Raise the exhaust back into place and reattach all rubber isolators.

Thank You for Purchasing a Rigid Hitch

TIGHTEN ALL FASTENERS TO THE TORQUE SPECIFICATIONS SHOWN BELOW

HARDWARE PACKAGE:

- | | |
|--------------------------------------|----------------------------|
| (4) 7/16 -14 x 1-1/4" Carriage Bolts | (4) 7/16-14 Heavy Hex Nuts |
| (4) 1/4 x 1 x 2" Block Plates | (4) 7/16" Fish Wires |
| (4) 7/16" Conical Washers | (1) UB-6001 Draw Bar Kit |

GIVE THIS INSTRUCTION SHEET TO VEHICLE OWNER

BOLT TIGHTENING TORQUE (LB-FT)			
<u>BOLT SIZE</u>	<u>TORQUE</u>	<u>BOLT SIZE</u>	<u>TORQUE</u>
3/8"	25 LB FT	8MM	20 LB FT
7/16"	50 LB FT	10MM	38 LB FT
1/2"	60 LB FT	12MM	68 LB FT
3/4"	120 LB FT		

THIS PRODUCT COMPLIES WITH SAFETY SPECIFICATIONS AND REQUIREMENTS FOR SAE AND VESC REGULATION V-5 FOR CONNECTING DEVICES AND TOWING SYSTEMS. DO NOT MODIFY THIS PRODUCT. INSTALL ONLY ON SPECIFIED VEHICLES IN GOOD CONDITION.

RIGID[®]
HITCH INCORPORATED
3301 WEST BURNSVILLE PARKWAY
BURNSVILLE, MN 55337

REV.
7/12