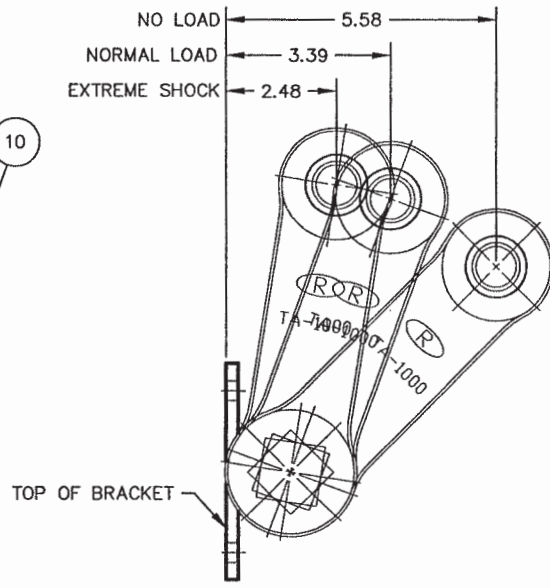
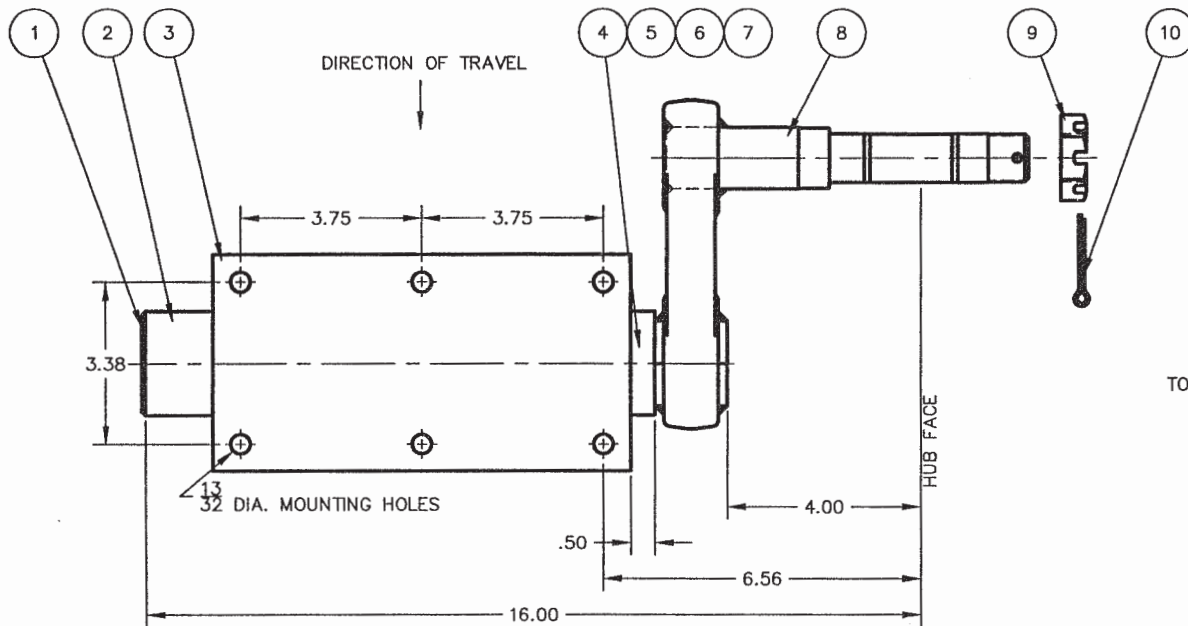


BILL OF MATERIALS

DET. #	PART #	REQ'D	DESCRIPTION
1	PLUG-2.0x2.0	1	14 GA. TUBING PLUG
2	T09-10.50	1	SERIES #9 TORSION TUBING
3	AB-090-04	1	RUBBER TORSION AXLE BRACKET
4	RC09-07.00	4	.695 DIA. RUBBER CORD
5	NB-090	2	INTERNAL NYLON BUSHING
6	PBP4	1	PAINT BLACK PRIMER FOR AXLES
7	RTS	1	RUBBER TORSION STICKER
8	A-1000-10-45	1	INNERMETAL ASSEMBLY
9	SN-1000	1	1"-14 SPINDLE NUT
10	SCP-103	1	5/32 COTTER PIN
11	AT-100	1	AXLE SERIAL TAG



45° BELOW
STARTING ANGLE

CAPACITY - 250 LBS. PER STUB
LH SHOWN - RH OPPOSITE

REVISIONS				TOLERANCES UNLESS NOTED		MAT'L	ITEM	SPECIFICATION
REV. #	ECN #	DATE	INT.	DECIMAL	FRACTIONAL			
1				±.25		±3'		
2								
3								
4								
5								

LOCATION	DIST. CODE		TOOL & MACHINE, CO. KENDALLVILLE, INDIANA 46755
DATE	P. CODE		
12/12/96	RTA09		
DRAWN BY	SCALE		
C.W.	1/2		
APPROVED BY	STATUS CODE	DRAWING TITLE	
		SERIES #9 TORSION STUB	
THIS DRAWING MAY NOT BE REPRODUCED IN PART OR IN FULL WITHOUT WRITTEN PERMISSION FROM RELIABLE TOOL & MACHINE			
			DRAWING #
			RTS-0250-01-LH/-02-RH