



**LIPPERT  
COMPONENTS®**

**Solid  
Step®**



# SolidStep® 3.0 Adjustable Latch Installation and Owner's Manual (For Aftermarket Applications)

## Table of Contents

<b>Purchase Verification</b> .....	2
<b>Introduction</b> .....	2
<b>Safety Information</b> .....	3
<b>Resources Required</b> .....	3
<b>Prior to Installation</b> .....	3
<b>Installation</b> .....	4
Place Assembly Inside Doorframe .....	4
Adjust Transport Lock .....	5
Secure Hinge Plate .....	6
<b>Operation</b> .....	7
Release Steps .....	7
Storage of Steps .....	7
Leg Extension Adjustment .....	7
<b>Notes</b> .....	8

Tread Count	Floor Height	Door Width*	Part #	SolidStep
Double	22"-28"	26"- 29.9"	733931	26" Premium Double SolidStep
		30"- 36"	733932	30" Premium Double SolidStep
Triple	27"-36"	26"- 29.9"	791572	26" Premium Triple SolidStep
		30"- 36"	791573	30" Premium Triple SolidStep
Quad	35"-44"	26"- 29.9"	791574	26" Premium Quad SolidStep
		30"- 36"	791575	30" Premium Quad SolidStep

\*See Purchase Verification section to determine SolidStep® size required.

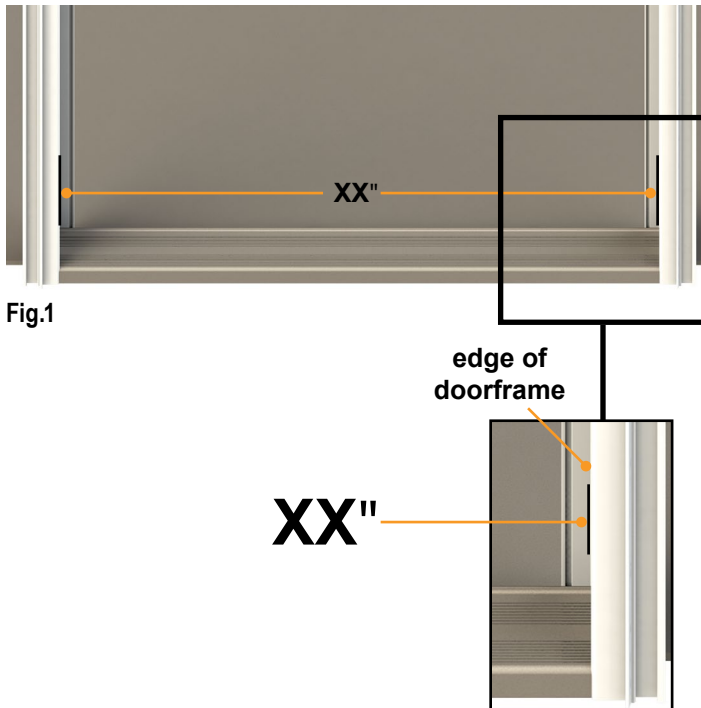


LIPPERT  
COMPONENTS®

# SolidStep® 3.0 Adjustable Latch Installation and Owner's Manual (For Aftermarket Applications)

## Purchase Verification

XX" - To verify the proper size of the SolidStep required, measure frame to frame (Fig.1) of the trailer door and round up to the nearest even number (i.e., 26", 28", 30", etc.). This number should correspond to the SolidStep® purchased. For example, a 30" door will measure approximately 29 3/8" frame to frame, so rounding up to 30" would ensure the correct step was ordered.



## Introduction

The SolidStep® 3.0 is a trailer entry step assembly that can be mounted to the side of any trailer, providing an ease of entry, regardless of level ground.

Additional information about this product can be obtained from [lci1.com/support](http://lci1.com/support) or by using the myLCI app. Replacement components can be ordered from <https://store.lci1.com/> or by using the myLCI app.

The myLCI app is available for free on iTunes® for iPhone® and iPad® and also on Google Play™ for Android™ users. iTunes®, iPhone® and iPad® are registered trademarks of Apple Inc. Google Play™ and Android™ are trademarks of Google Inc.



# SolidStep® 3.0 Adjustable Latch Installation and Owner's Manual (For Aftermarket Applications)

## Safety Information

### ⚠️ WARNING

FAILURE TO FOLLOW THE INSTRUCTIONS PROVIDED IN THIS MANUAL MAY RESULT IN DEATH, SERIOUS INJURY, TRAILER DAMAGE OR VOIDING OF THE PRODUCT WARRANTY.

### ⚠️ WARNING

ALWAYS WEAR EYE PROTECTION WHEN PERFORMING SERVICE OR MAINTENANCE TO THE TRAILER. OTHER SAFETY EQUIPMENT TO CONSIDER WOULD BE HEARING PROTECTION, GLOVES AND POSSIBLY A FULL FACE SHIELD, DEPENDING ON THE NATURE OF THE SERVICE.

### ⚠️ CAUTION

THE DEPLOYMENT AND RETRACTION OF THE STEP ASSEMBLY CAN CAUSE INJURY IF PROPER PRECAUTIONS ARE NOT TAKEN. THE STEP ASSEMBLY WAS DESIGNED FOR AN OPERATIONAL WEIGHT RATING OF 400 LBS.

### ⚠️ CAUTION

MOVING PARTS CAN PINCH, CRUSH OR CUT. KEEP CLEAR AND USE CAUTION.

## Resources Required

- 1 to 2 People, depending on task
- Cordless or Electric Drill or Screw Gun
- Appropriate Drive Bit
- Drill Bit  $\frac{5}{32}$ " (for #10 wood screws)
- Drill Bit  $\frac{13}{64}$ " (for #10 bolts)
- Hex Key  $\frac{5}{32}$ "
- Tape Measure

## Prior to Installation

1. Make sure that the trailer is on level ground.
2. If the trailer floor has a step threshold transition piece, it should be removed now.  
**NOTE:** The door and frame have been omitted from figures for clarity.
3. Make sure the floor of the trailer has sufficient backing material for securing the SolidStep. If uncertain, check with the trailer's manufacturer for backing material and its location or use the backer plate and fasteners provided.



LIPPERT  
COMPONENTS®

## SolidStep® 3.0 Adjustable Latch Installation and Owner's Manual (For Aftermarket Applications)

### Installation

#### Place Assembly Inside Doorframe

1. With the step extended and in the down position, place the SolidStep assembly inside the doorframe (Fig.2).

**NOTE:** Before installing any fasteners, make sure that the step is properly leveled so the sheetmetal threshold of the step rests firmly on the aluminum doorframe threshold, without any gap between them. The rear step threshold wall should be approximately parallel with the trailer's sidewall in this position. Refer to Leg Extension Adjustment section.

2. Verify with a tape measure that the assembly is centered in the doorframe. Measure from frame to frame (Fig.2A).

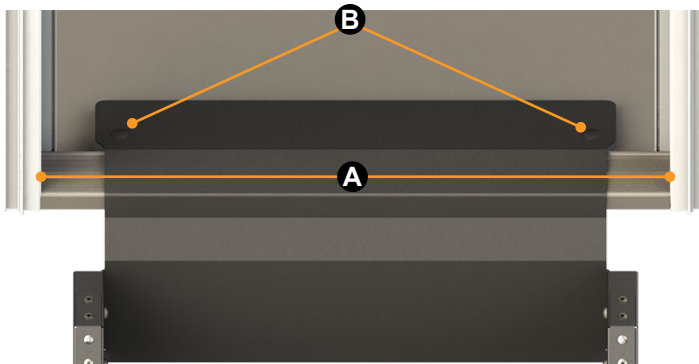


Fig.2

3. With the step assembly still in the extended position, install two fasteners.

**A.** For wood flooring, drill pilot hole using the  $\frac{5}{32}$ " drill bit and install two #10-1  $\frac{1}{2}$ " wood screws into the mounting plate via the two access holes located in the top of the mounting plate (Fig.2B).

**B.** For laminate flooring, drill two holes straight down with the  $\frac{13}{64}$ " drill bit via the access holes located in the top of the mounting plate. Insert two #10-4" bolts into the mounting plate through the floor through the backer plate (Fig.2B) and secure with the plain washers, lock washers and then the nuts provided. Refer to Figure 6 for backer plate info.

4. Once the two fasteners are secure, carefully lift the step assembly into the upright, stored position. If the latching mechanism doesn't engage, it will need to be adjusted to operate properly. Have one person hold the step assembly from inside the trailer. Go to Adjust Transport Lock section.



# SolidStep® 3.0 Adjustable Latch Installation and Owner's Manual (For Aftermarket Applications)

## ⚠ CAUTION

DO NOT ATTEMPT TO LOCK THE STEP IN PLACE, AS THE LATCHING MECHANISM MAY NEED TO BE ADJUSTED TO THE PROPER LEFT-RIGHT ORIENTATION AND TIGHTENED IN POSITION BEFORE USING THE TRANSPORT LOCK. ATTEMPTING TO ENGAGE THE TRANSPORT LOCK WITHOUT PROPER ADJUSTMENT MAY CAUSE DAMAGE TO THE DOORFRAME OR STEP ASSEMBLY.

### Adjust Transport Lock

1. If adjustment is required, loosen the 3 bolts (Fig.3A) on either sides of the adjustable transport lock. This allows adjustment side-to-side in the latch mechanism.

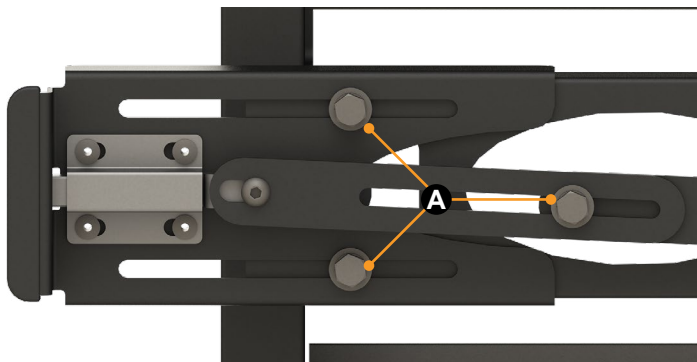


Fig.3

## ⚠ CAUTION

DO NOT OVERTIGHTEN THE BOLTS. OVERTIGHTENING THE BOLTS MAY DAMAGE THE THREADS OR CAUSE THE BOLT HEADS TO BREAK OFF.

2. Once the latch mechanism is in the correct position, tighten the bolts.
3. Once the transport lock has been adjusted, test its functionality by shaking the step assembly to simulate road vibration.

4. Engage and disengage the transport lock (Fig.4A) to ensure the latch flanges do not scrape against the doorframe.

**NOTE:** To make further minor adjustments, it may be necessary to loosen the original two fasteners installed in the hinge plate. See Place Assembly Inside Doorframe section.

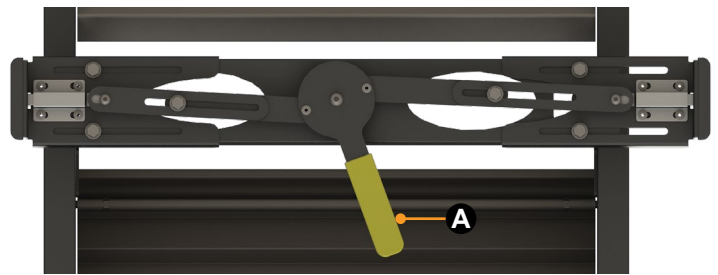


Fig.4



## SolidStep® 3.0 Adjustable Latch Installation and Owner's Manual (For Aftermarket Applications)

### Secure Hinge Plate

1. After adjusting the transport lock and with the step assembly in the upright, stored position, secure the slots of the hinge plate to the floor of the trailer using the additional fasteners provided.

**A.** For wood flooring, drill pilot holes using the  $\frac{5}{32}$ " drill bit and install eight #10-1  $\frac{1}{2}$ " wood screws (Fig.5A) into the mounting plate via the eight access holes located on the hinge plate (Fig.5B).

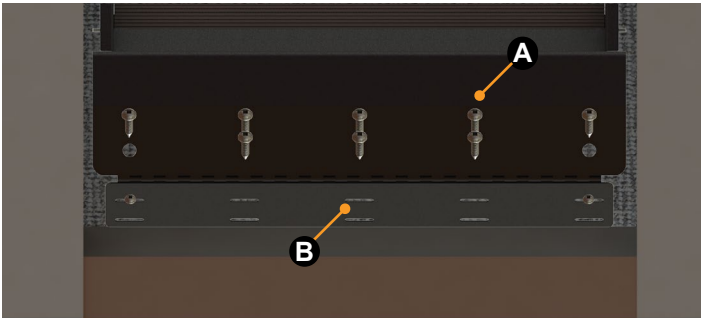


Fig.5

**B.** For laminate flooring, drill eight holes straight down with the  $\frac{13}{64}$ " drill bit via the eight access holes located in the top of the hinge plate (Fig.6A). Insert eight #10-4" bolts (Fig.6B) into the hinge plate through the floor, through the backer plate (Fig.6C) and secure with the plain washers, lock washers and then the nuts provided.

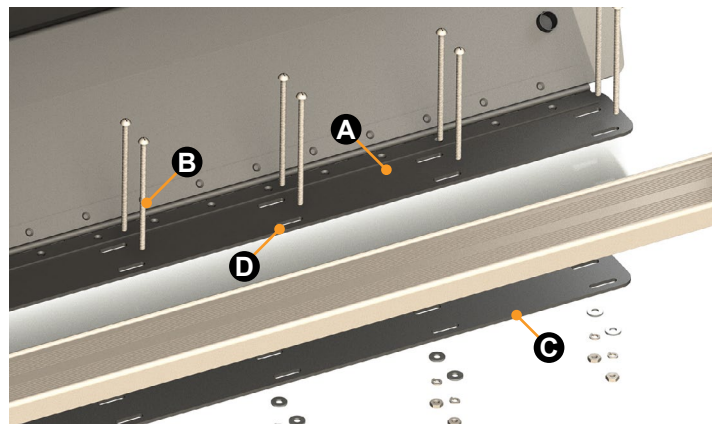


Fig.6

2. Use the horizontal slots (Fig.6D) to make additional small adjustments to the step assembly positioning in the doorway.
3. If a backer plate is being used, apply silicone sealant around the holes.
4. Extend the step assembly.
5. Insert the two provided caps to cover the access holes in the mounting plate (Fig.2B).



LIPPERT  
COMPONENTS®

## SolidStep® 3.0 Adjustable Latch Installation and Owner's Manual (For Aftermarket Applications)

### Operation

#### Release Steps

1. Disengage transport lock.
2. Firmly grasp and pull out the vertically stored SolidStep and firmly rest it on the ground.

#### Storage of Steps

3. Lift up SolidStep to its stored position and make sure the transport lock has been engaged.

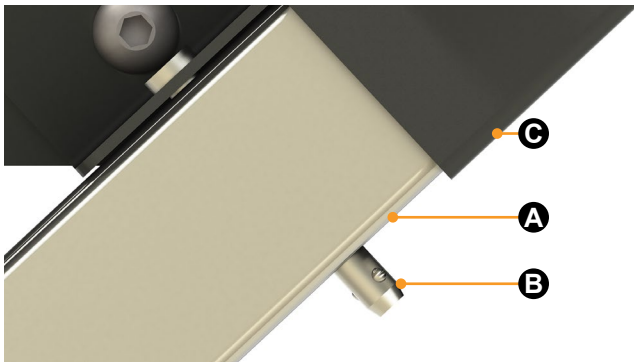


Fig.7

#### Leg Extension Adjustment

The leg extension is secured with a quick release clevis pin. Adjustments can be made to the leg extensions in 1" increments by extending or retracting the inner leg for the optimal angle, and to adjust for the ground surface angle.

4. To extend the inner leg (Fig.7A):

**A.** Remove the quick release clevis pin (Fig.7B) from the tube and the slot in the angle.

**B.** Extend the inner leg (Fig.7A) to the ground and at an angle so the steps are parallel to the ground and level. Reinsert the quick release clevis pin (Fig.7B) into the tube and slot closest to where the inner leg and tube (Fig.7C) meet.

5. To retract the inner leg (Fig.7A):

**A.** Remove the quick release clevis pin (Fig.7B) from the tube and slot.

**B.** Retract the inner leg.

**C.** Insert the quick release clevis pin in the tube and slot.

